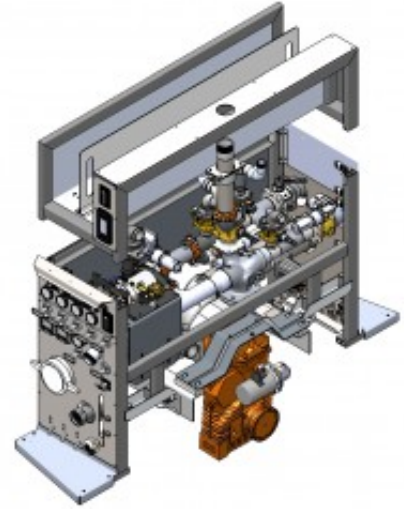




NEW

Ford F550 24" Pump Module



STYLE

This module boasts a 24" wide pump panel while offering up to 1500gpm NFPA performance. The design allows optional rear discharges, SmartFOAM systems, a deck gun discharge and a front bumper jumpline/turret or hose reel. To further simplify the ordering process, Hale does not require driveline information for each module on the Ford chassis. The work has already been done to ensure the module performs on the 2019 F550 4x4 and 4x2 chassis with extended and crew cab models and an 84" CA dimension (not available on 2-door regular cab model due to exhaust interference or 60" Cab-to-Axle due to drivelines).


This well engineered pump module also minimizes gearbox protrusion beyond the rear of the module and all plumbing is housed inside the module to minimize effects on the body and tank. The module includes a completely removable top to allow full access for service.

Features

- BIG Performance in a Skinny Module.
- Allows more storage space in the body.
- Drivelines are Pre-Engineered - No need to measure your chassis!
- Approved Ford Cab-Chassis Models:
- 4 Door, 84" C/A, 4x4 & 4x2
- Extended Cab, 84" C/A, 4x4 & 4x2



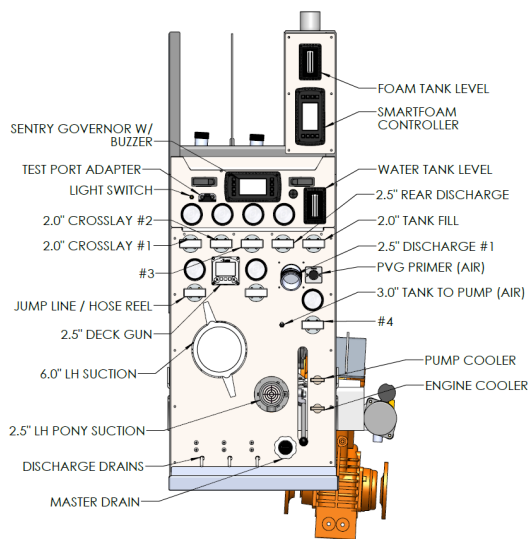
Specifications

Certification(s)	
Weight	To Be determined based off final configuration

Ford F550 24" Pump Module

STYLE

Operators Panel



Ford F550 24" Pump Module

STYLE

Download the Specifications below, then delete options as required to match your specific requirements.