

Quick Start Guide

(FoamLogix System, Portable Pro Kit)



THIS QUICK START GUIDE IS ONLY INTENDED AS A BRIEF OVERVIEW TO THE OPERATION OF THE FOAMLOGIX 2.1A SYSTEM AND IS NOT INTENDED TO BE A REPLACEMENT FOR THE INSTALLATION/OPERATION MANUAL (HALE P/N: 029-0020-74-0) PROVIDED WITH EACH SYSTEM. ALSO AVAILABLE ON-LINE – WWW.CLASS1.COM.

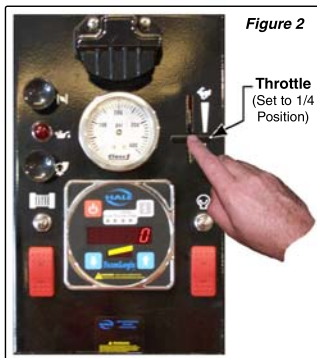


Operation

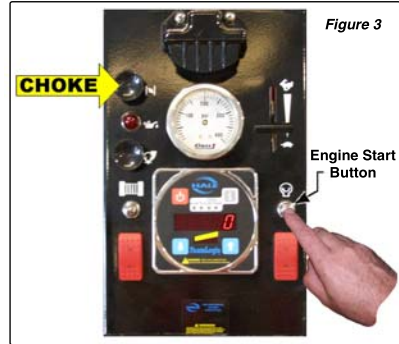
1. CLOSE all discharge valves.
2. Set the main power switch ON. (See Figure 1.)



3. Set the throttle to approximately the 1/4 position. (See Figure 2.)



4. Start the engine. (See Figure 3 in the next column.)

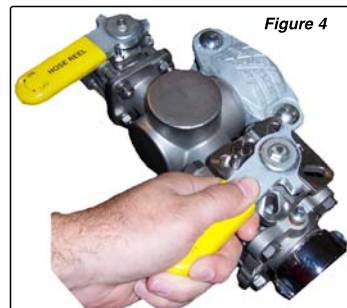


(Adjusting the choke may be required if the engine is cold.)

5. If the pump intake is piped to a water tank with the water level higher than the eye of the pump impeller, OPEN the tank-to-pump valve to flood the pump inlet.

Otherwise, the pump runs from a draft condition. Follow the pump manufacturers operating instructions for priming the pump.

6. OPEN the desired discharge valve(s). (See Figure 4.)

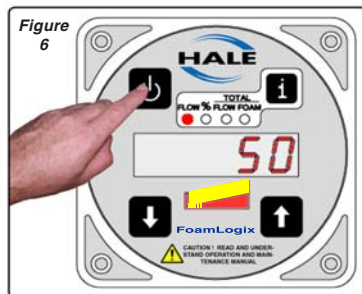


- Adjust the throttle to set the operating water pressure and flow rate. (See Figure 5.)



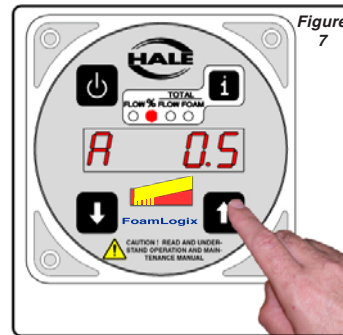
The FoamLogix display shows the current water flow rate.

- Start foam flow by pressing the red ON/OFF button (⏻) on the FoamLogix display. (See Figure 6.)



The bar graph on the FoamLogix display illuminates, left-to-right, to indicate relative foam motor speed.

- If needed, adjust the percentage of foam flow by using the INCREASE (↑) and DECREASE (↓) buttons on the FoamLogix display. (See Figure 7 in the next column.)



Stop foam flow by pressing the red ON/OFF button on the FoamLogix display.

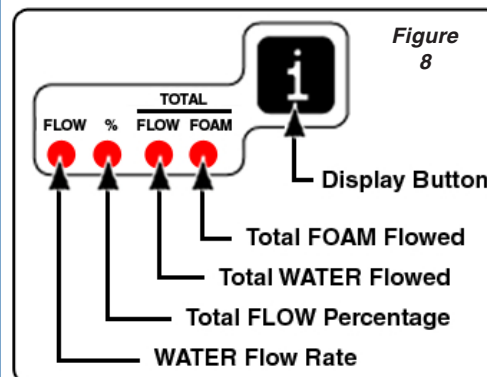


Stop water flow by closing the discharge valve(s).



Stop the engine by placing the main power switch to the OFF position.

By repeatedly pressing the DISPLAY button (i), water flow rate, foam flow percentage and water and foam flow totals may be viewed. (See Figure 8.)



Class 1 • Unit of IDEX Corporation
 607 NW 27th Avenue • Ocala, FL 34475 U.S.A.
 Phone: 1-800-533-3560 • 352-629-5020
 Fax: 1-800-5230-3473 • 352-629-2902
 Web.....www.class1.com