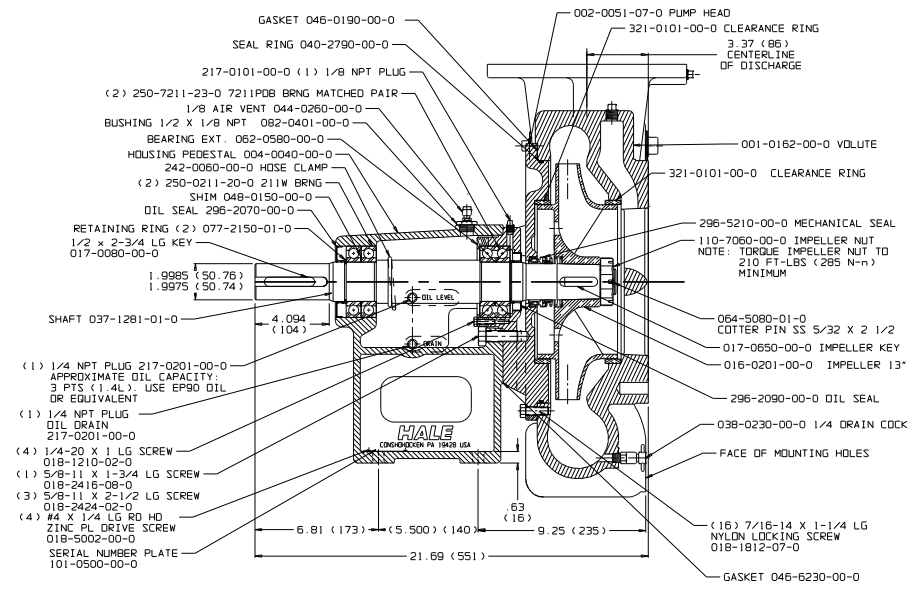
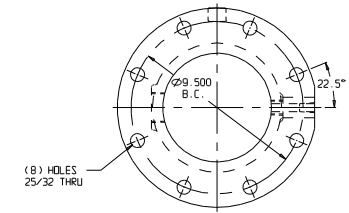


WARNING

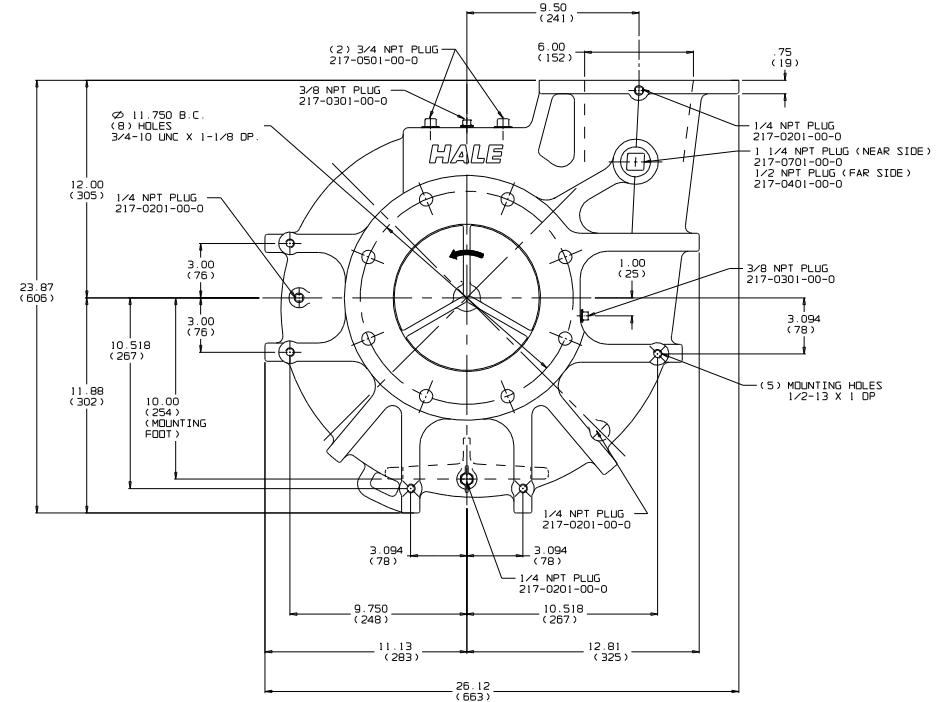
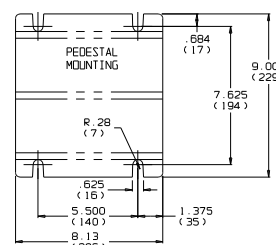
EXCEEDING THESE LIMITS OR FAILURE TO FOLLOW THE RECOMMENDATIONS OUTLINED IN THIS DRAWING COULD DAMAGE THE PUMP AND RESULT IN PERSONAL INJURY.
 MAX PUMP PRESSURE - HYDRODYNAMIC = 350PSI (24 BAR) & HYDROSTATIC = 500PSI (34 BAR)
 MAX POWER INPUT FOR PUMPING = 470 HP (309kW)
 MAX PUMP INPUT RPM = 4200
 READ LIMIT CHART F-72 FOR ADDITIONAL DATA.

RME SERIES REAR MOUNT PUMP

THIS PRODUCT AND ITS COMPONENTS ARE PROTECTED BY ONE OR MORE OF THE FOLLOWING U.S. PATENTS AND OTHER PATENTS PENDING:
 3,116,684 4,024,886
 3,918,691 4,099,345
 4,311,440
 4,053,987



- (1) 1/4 NPT PLUG 217-0201-00-0 APPROXIMATE OIL CAPACITY: 3 PTS (1.4L). USE EP90 OIL OR EQUIVALENT
- (1) 1/4 NPT PLUG OIL DRAIN 217-0201-00-0
- (4) 1/4-20 X 1 LG SCREW 018-1210-02-0
- (1) 5/8-11 X 1-3/4 LG SCREW 018-2416-08-0
- (3) 5/8-11 X 2-1/2 LG SCREW 018-2424-02-0
- (4) #4 X 1/4 LG RD HD ZINC PL DRIVE SCREW 018-5002-00-0
- SERIAL NUMBER PLATE 101-0500-00-0



NOTE:
 1) ALL DIMENSIONS IN INCHES & (MILLIMETERS).
 2) PUMP CAN BE ROTATED TO ANY POSITION THRU 22.5° INCREMENTS.
 3) THE FOLLOWING ITEMS ARE NOT SHOWN:
 (1) UNIT WARNING DECAL -101-0361-00-0
 (2) DECAL/HALE 101-0450-00-0

PLATE NO. 813AB

ECD NO	REV	CHANGED FROM	BY	DATE	APVD
TN97-82	A	REDRAWN ON CAD - UPDATED	CJ	9-12-97	MS
01-265	B	UPDATED DESCRIPTIONS	PRW	6-18-01	MAL

HALE HALE PRODUCTS, INC.
 A Unit of IDEX Corporation
 Conshohocken, PA 19428 USA

COPYRIGHT © 1993 IDEX CORPORATION
 NOT TO BE REPRODUCED OR USED TO MAKE OTHER DRAWINGS OR MACHINERY
 DRAWN [] CHECKED [] WFM [] DATE 1-19-93 SIZE B SCALE: .25