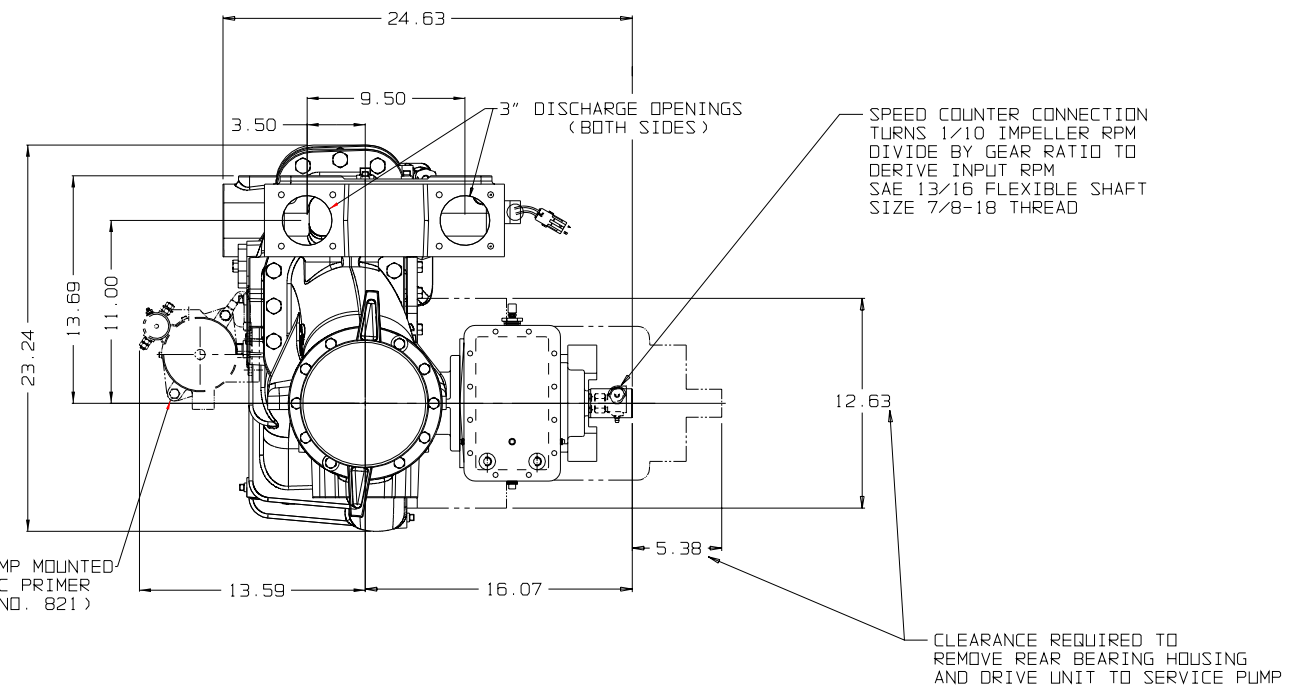
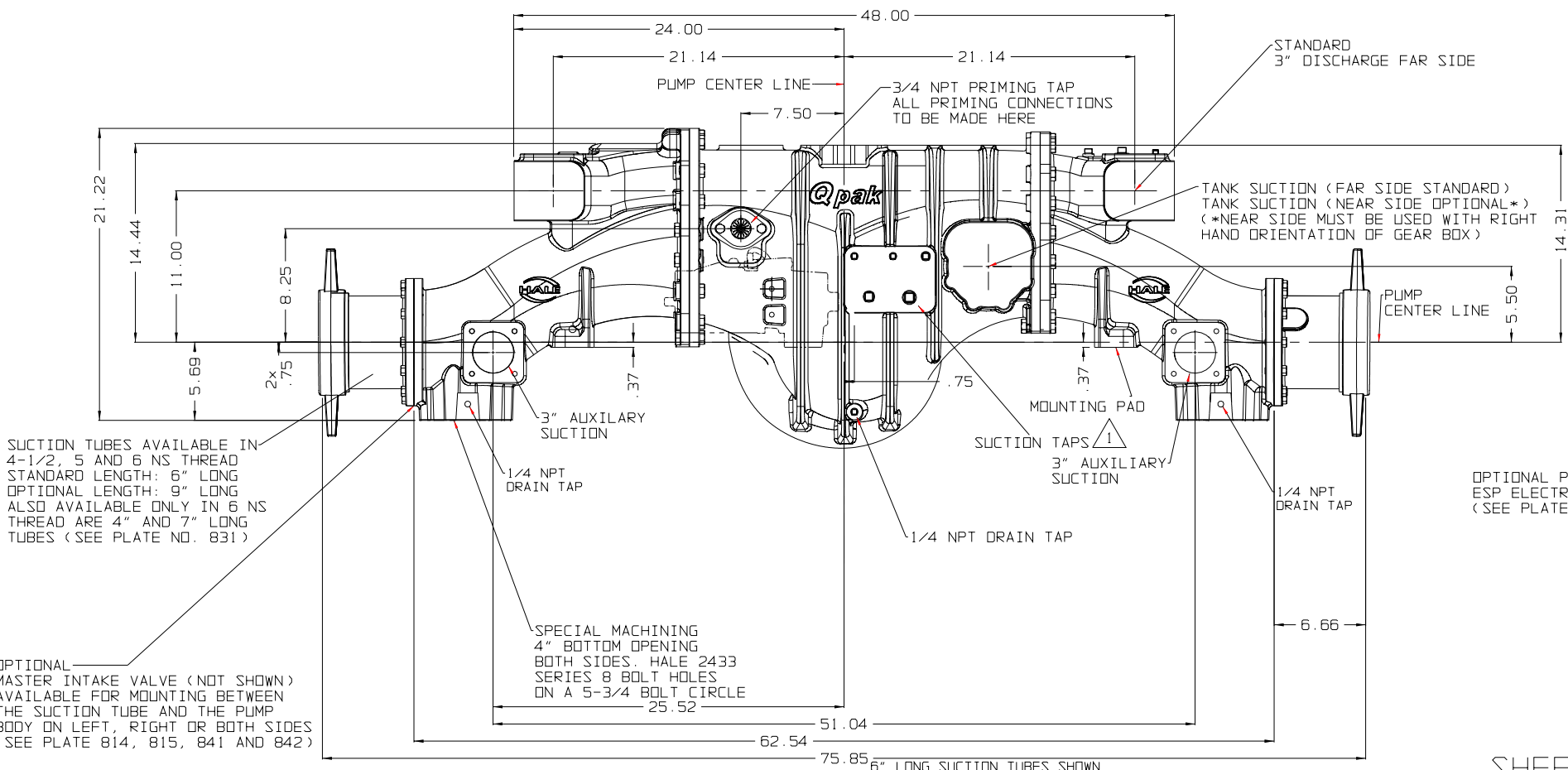


PUMP MODEL	GEAR RATIO	WARNING					
Qpak A	2.37	EXCEEDING THESE LIMITS OR FAILURE TO FOLLOW THE RECOMMENDATIONS OUTLINED ON THIS DRAWING COULD DAMAGE THE PUMP AND/OR GEARBOX AND RESULT IN PERSONAL INJURY. MAX PUMP PRESSURE: HYDRODYNAMIC = 600 PSIG HYDROSTATIC = 600 PSIG MAXIMUM POWER INPUT FOR PUMPING = 300 HP SEE HALE TORQUE LIMIT CHART F-72 FOR ADDITIONAL DATA. THIS PRODUCT AND ITS COMPONENTS ARE PROTECTED BY ONE OR MORE OF THE FOLLOWING U.S. PATENTS AND OTHER PATENTS PENDING: 950,756 3,500,961 3,859,703 4,209,282 4,587,862 3,116,694 3,726,308 3,918,681 4,311,440 4,653,978 3,159,559 3,801,224 4,089,345 4,337,830					
Qpak A	2.18						
Qpak A	2.01						
Qpak A	1.85						
Qpak A	1.70						
* RATED CAPACITY (GPM) 500, 750 AND 1000		EXAMPLE: THE MODEL NUMBER FOR A 1000 GPM RATED PUMP WITH A 2.37 GEAR RATIO WOULD BE QPAKA100-23.					



1 SUCTION AND PRESSURE TAPS ARE PROVIDED. EACH SET WILL CONSIST OF THE FOLLOWING:
 (2) - 1/4 - 18 NPT
 (1) - 3/8 - 18 NPT
 (1) - 1/2 - 14 NPT
 (1) - 3/4 - 14 NPT

3" DISCHARGE OPENINGS AND 3" AUXILIARY SUCTION OPENINGS ARE MACHINED FOR HALE 115 SERIES 4 BOLT HOLES ON A 4-3/8 BOLT CIRCLE FLANGES.
 4" CENTER DISCHARGE AND TANK SUCTION CONNECTION ARE MACHINED FOR HALE 2433 SERIES 8 BOLT HOLES ON A 5-3/4 BOLT CIRCLE FLANGE

PLATE NO. 904PAKAINSTALLATION (WITH A SERIES GEARBOX)