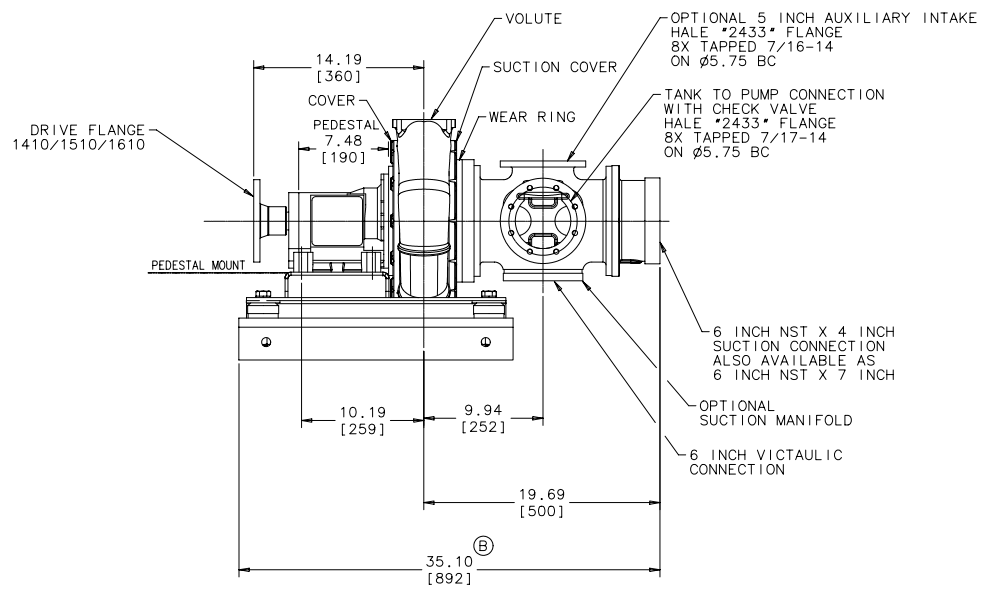
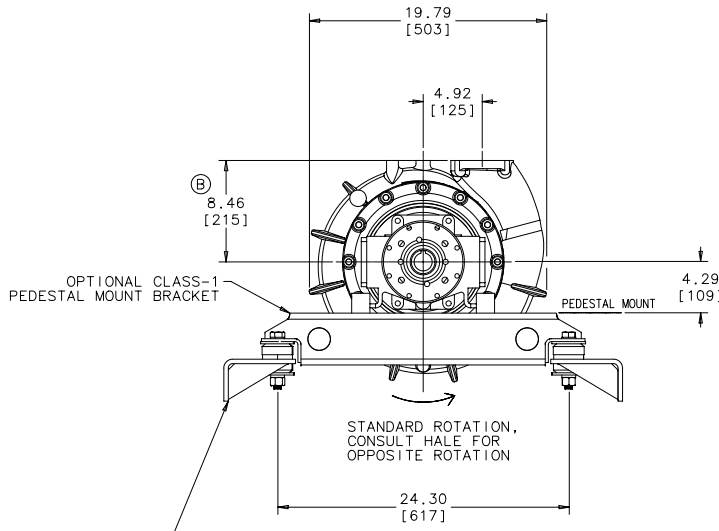
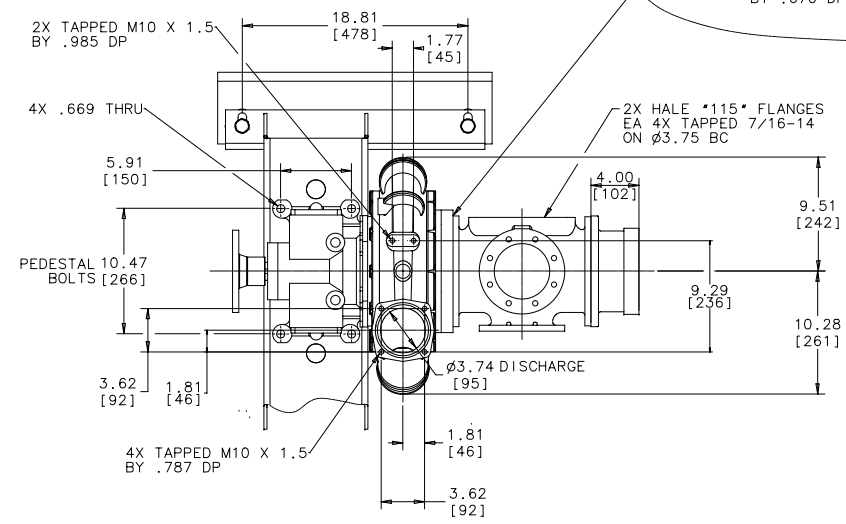
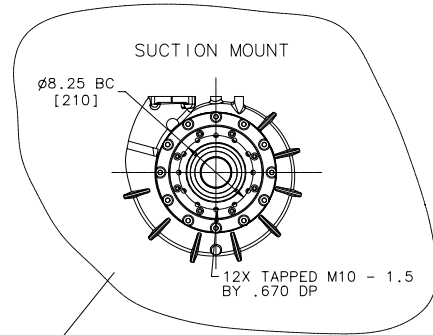
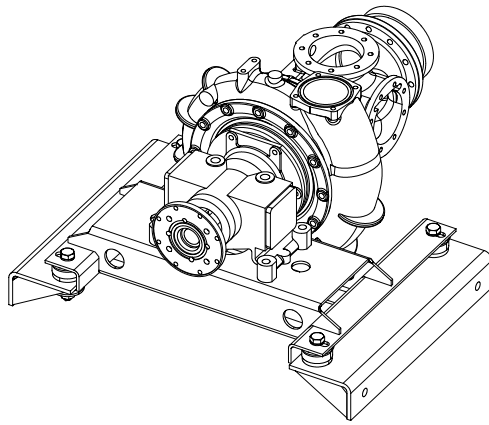


SMR-U BASE PUMP INSTALLATION



OPTIONAL CLASS-1 TRUCK MOUNT BRACKET KIT INCLUDES:
 2X BRACKET TO WELD TO CROSSMEMBER
 2X BRACKET TO BOLT TO TRUCK FRAME
 4X RUBBER ISOLATOR

ECO NO	REV	CHANGED FROM	BY	DATE	APVD
03-253	A	RELEASED	JDR	03-02-04	MAL
04-146	B	CORRECTED DIMENSIONS	JDR	07-02-04	MAL



HALE PRODUCTS, INC.
 A Unit of IDEX Corporation
 Conshohocken, PA 19428 USA

NOT TO BE REPRODUCED OR USED TO MAKE OTHER DRAWINGS OR MACHINERY. DRAWN JDR CHECKED MAL DATE 03-02-04 SIZE SCALE: NONE

PLATE NO. 994AB (SHEET 2 OF 2)