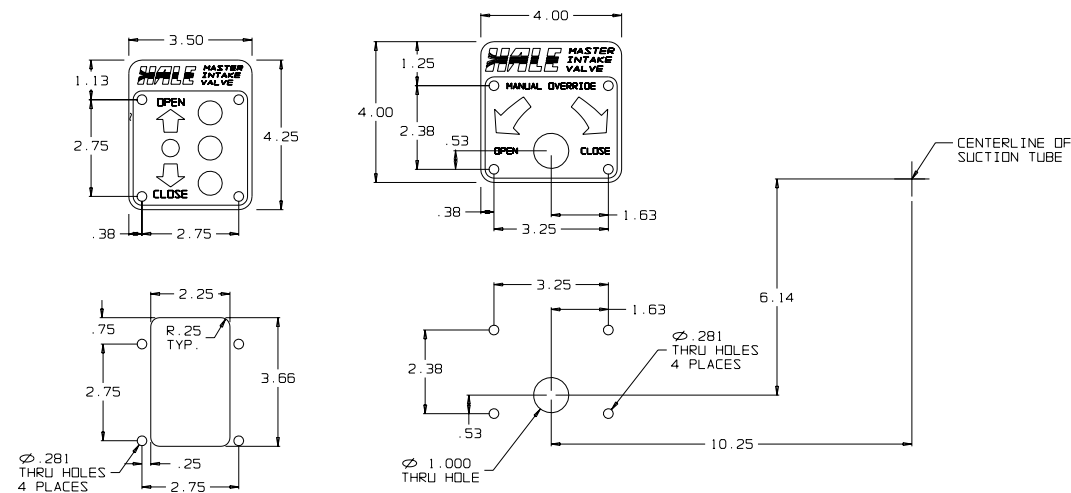


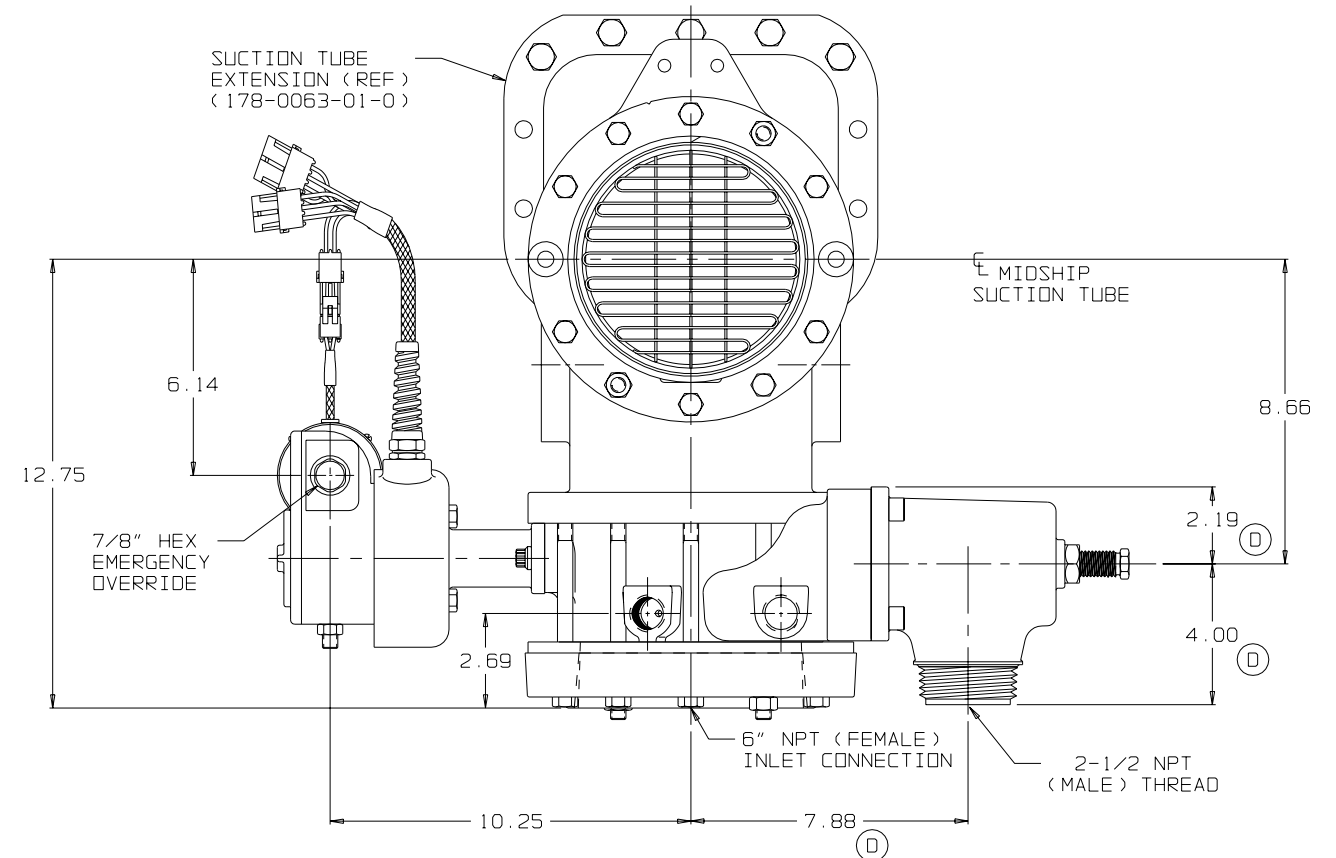
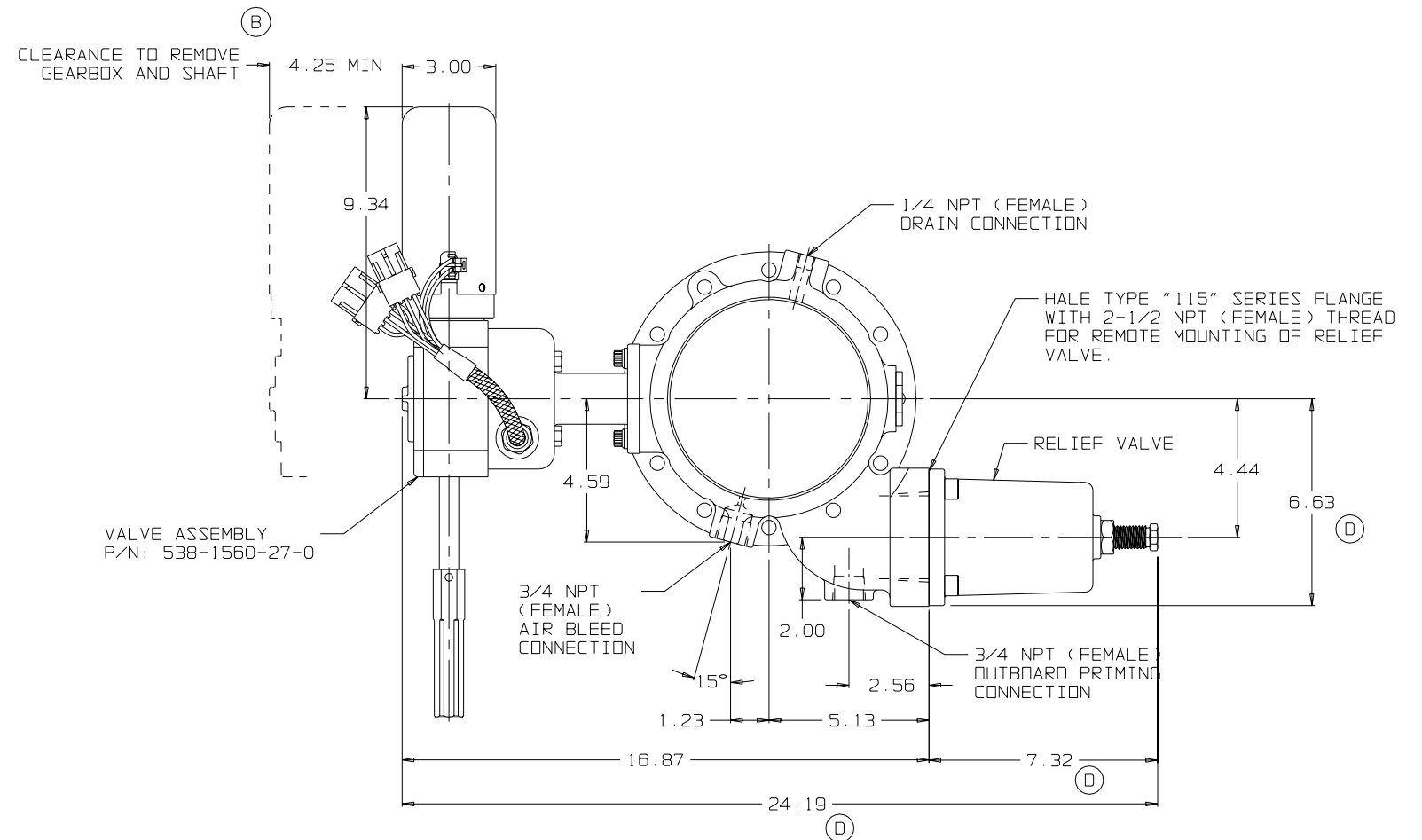
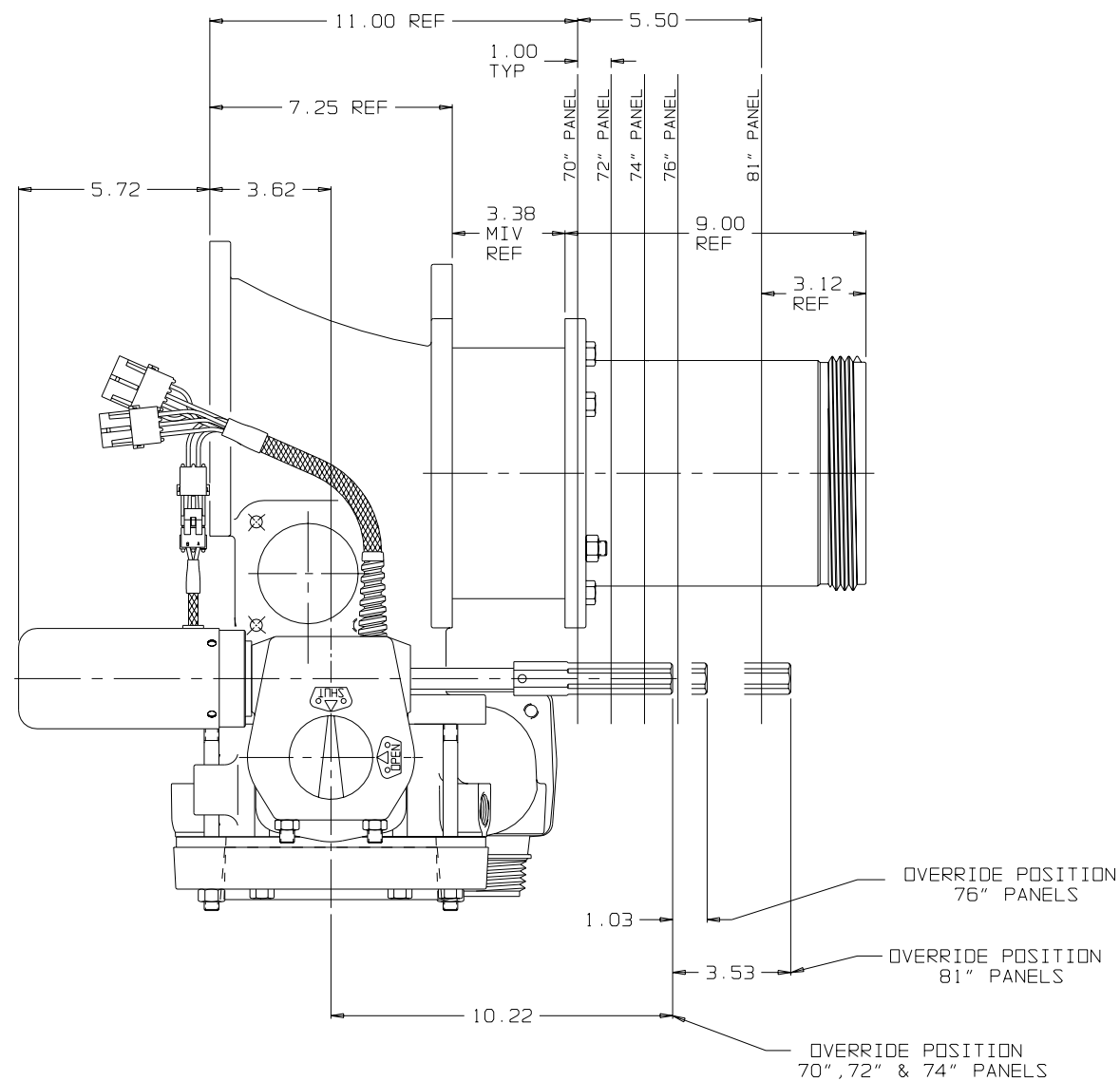
HALE MASTER INTAKE VALVE (ELECTRIC) MIV-E BOTTOM MOUNTED

(LEFT SIDE FRONT; RIGHT SIDE REAR OPERATOR)



PANEL PLACARD
MOUNTING TEMPLATE

MANUAL OVERRIDE
PANEL PLACARD
MOUNTING TEMPLATE



ECD NO	REV	CHANGED FROM	BY	DATE	APVD
96-149	A	RELEASE FOR PRODUCTION	DLM	8-20-96	RET
97-158	B	ADDED CLEARANCE TO REMOVE NOTE	DLM	7-28-97	RET
00354	C	UPDATED PANEL PLACARD TEMPLATE	PRW	2-7-00	RET
0057	D	REPLACED RELIEF VALVE	JFG	4-11-05	MAL

HALE HALE PRODUCTS, INC.
A Unit of IDEX Corporation
Conshohocken, PA 19428 USA

NOT TO BE REPRODUCED OR USED TO MAKE OTHER DRAWINGS OR MACHINERY. DRAWN [] DLM DATE 8-14-96 SIZE 5 SCALE: .4