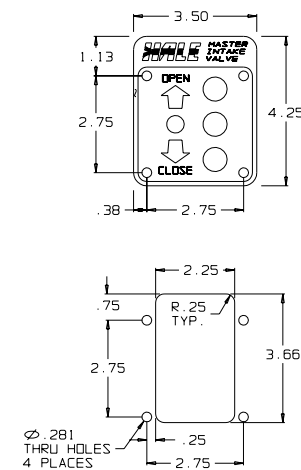
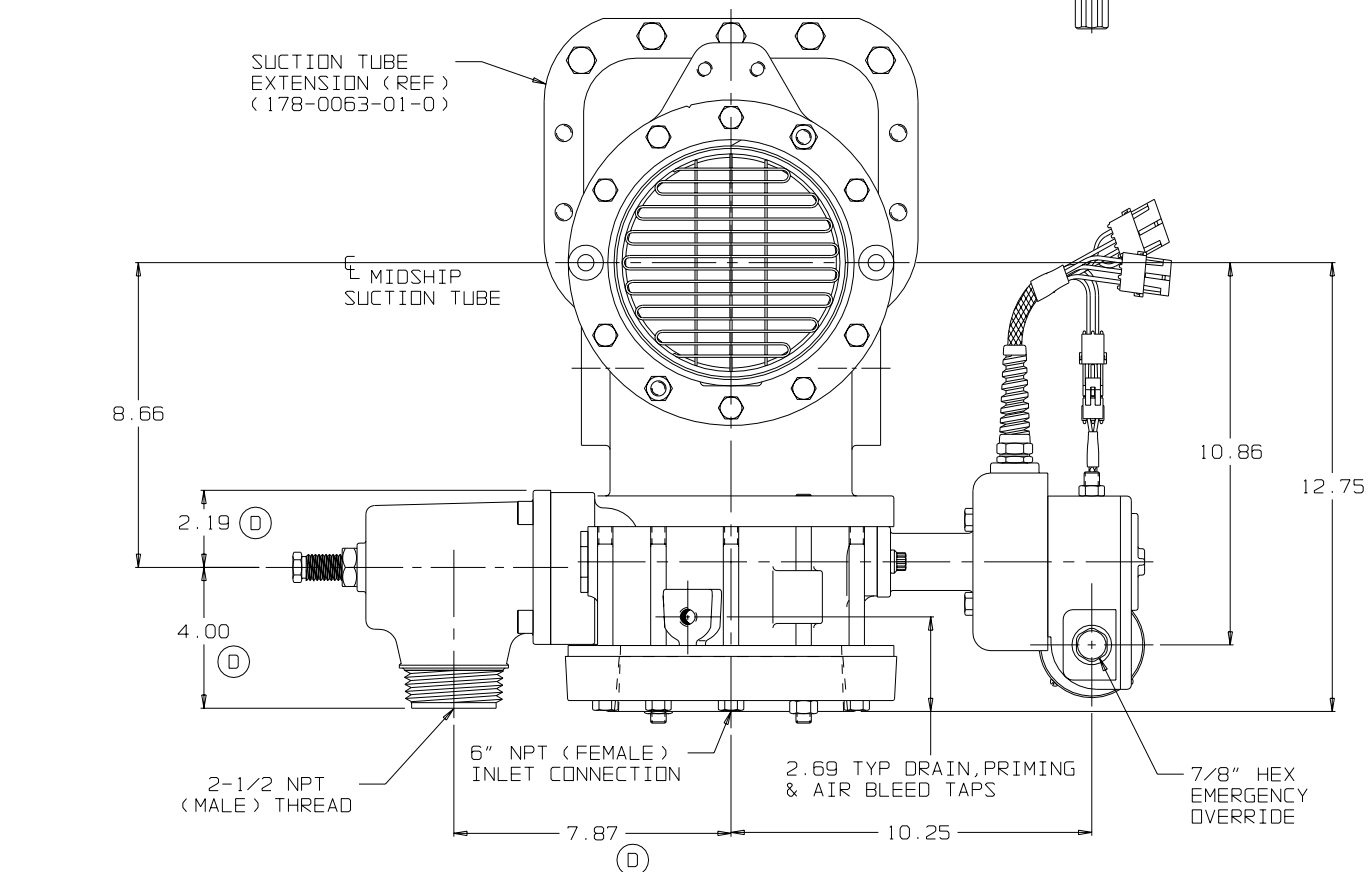
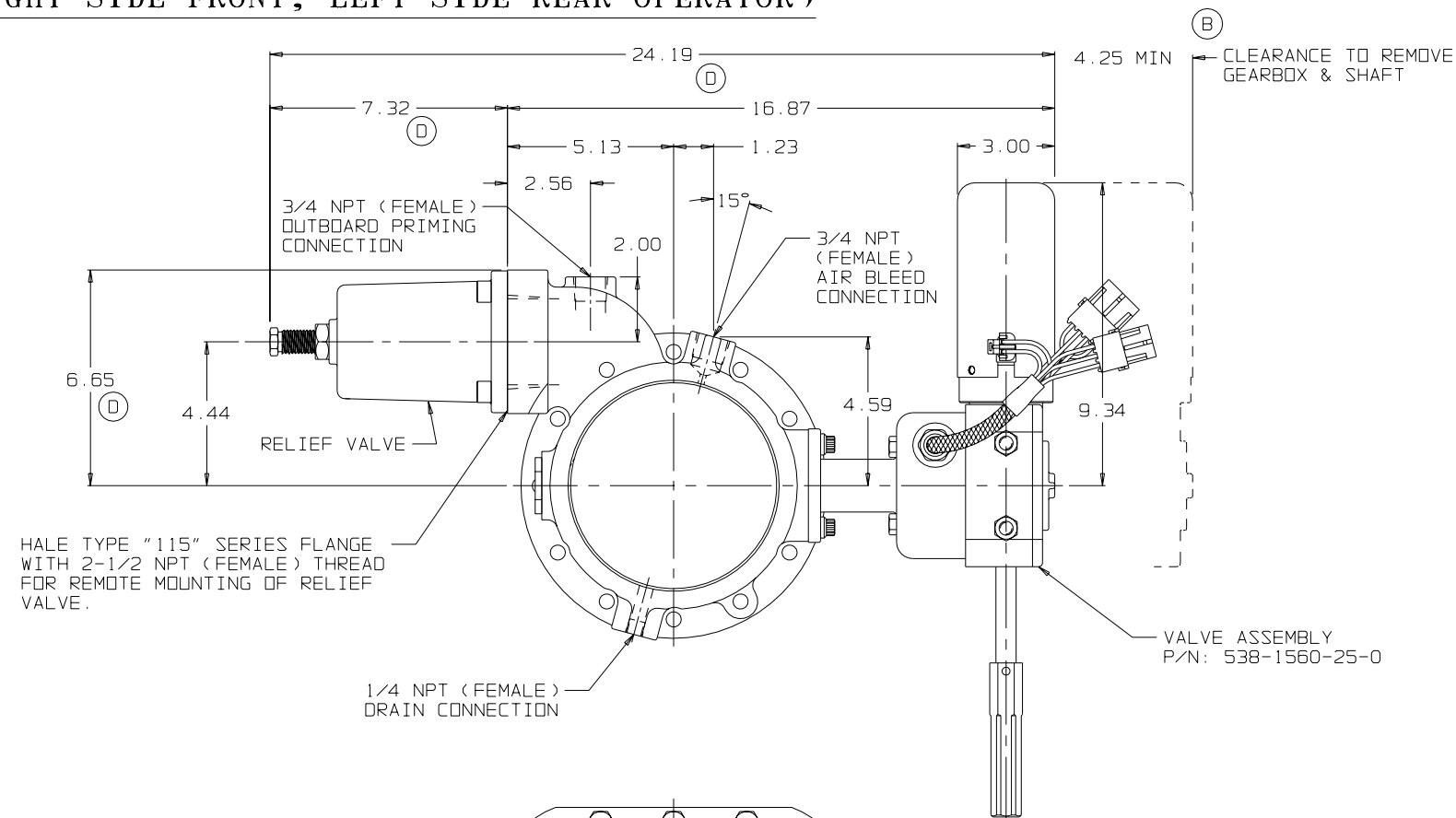
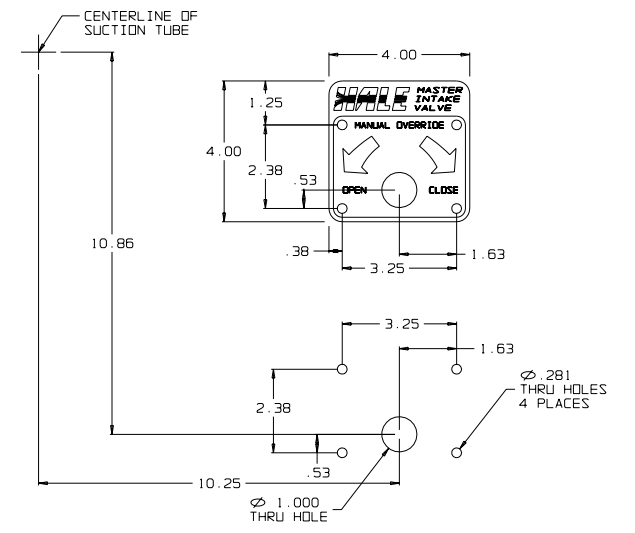


# HALE MASTER INTAKE VALVE (ELECTRIC) MIV-E BOTTOM MOUNTED

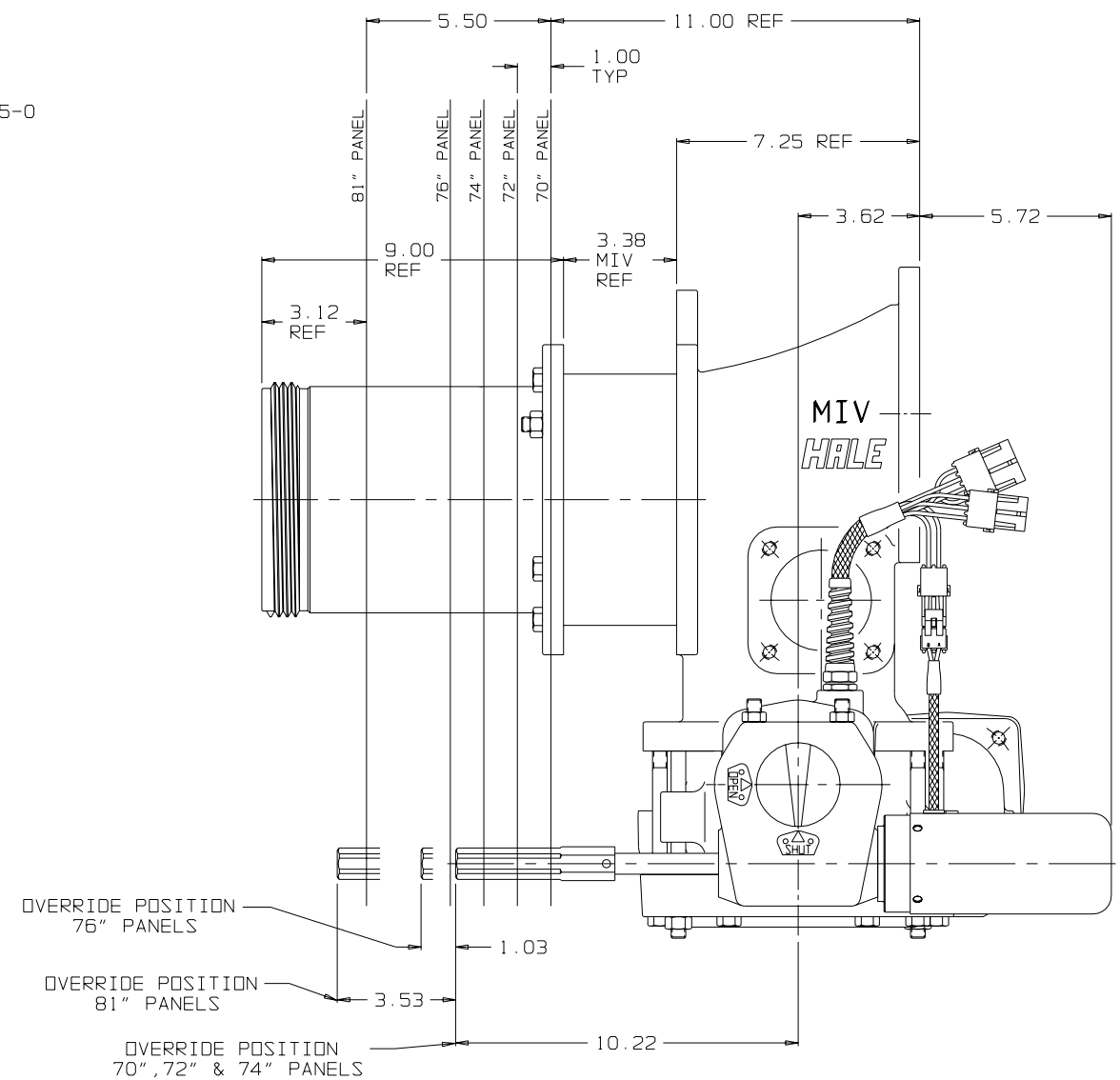
(RIGHT SIDE FRONT; LEFT SIDE REAR OPERATOR)



PANEL PLACARD MOUNTING TEMPLATE



MANUAL OVERRIDE PANEL PLACARD MOUNTING TEMPLATE



ECD NO	REV	CHANGED FROM	BY	DATE	APVD
96-149	A	RELEASE FOR PRODUCTION	DLM	8-20-96	RET
97-158	B	ADDED CLEARANCE TO REMOVE NOTE	DLM	7-28-97	RET
00-354	C	UPDATED PANEL PLACARD TEMPLATE	PRW	2-7-00	RET
0057	D	REPLACED RELIEF VALVE	IEG	4-11-05	MAI