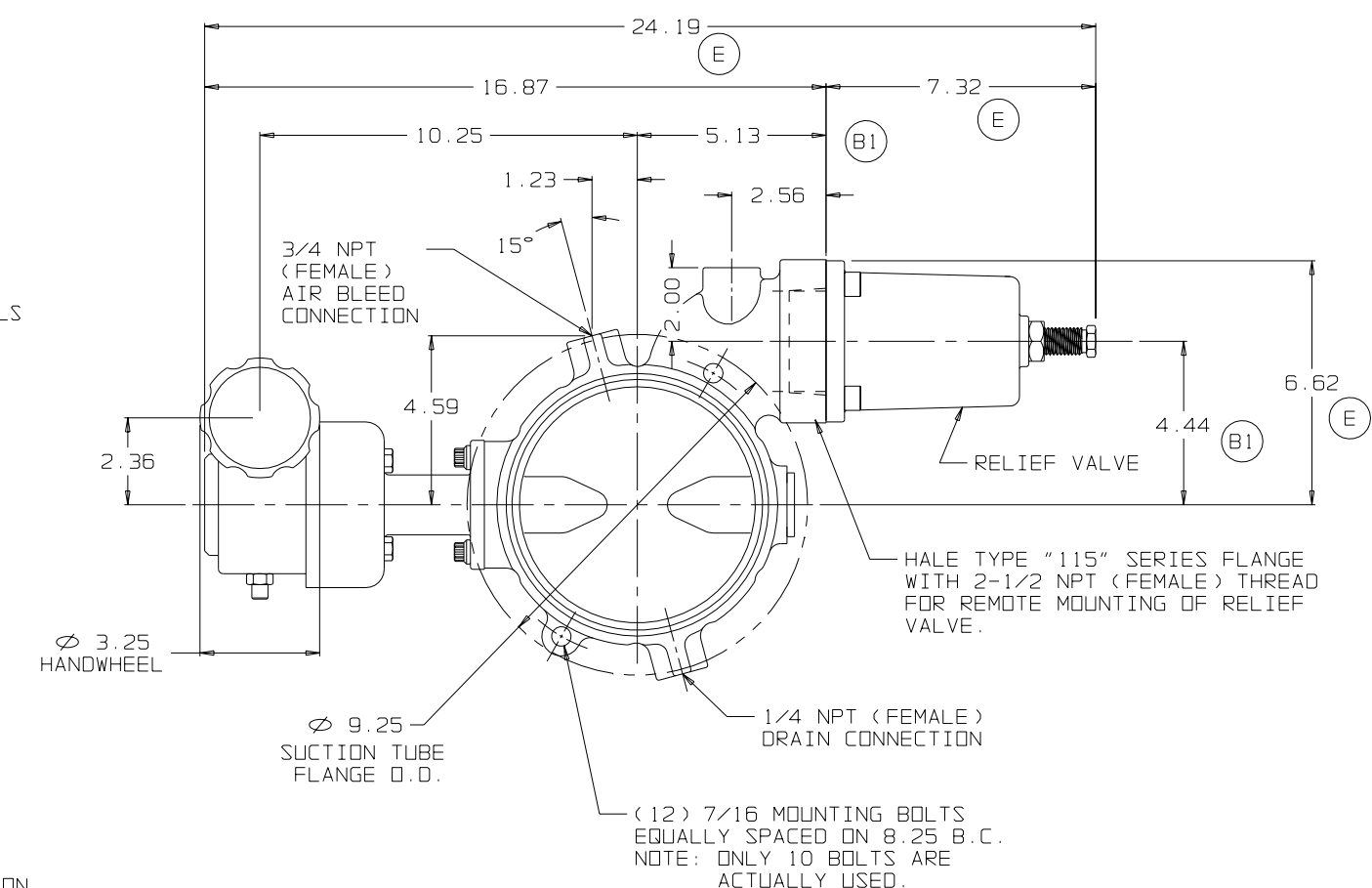
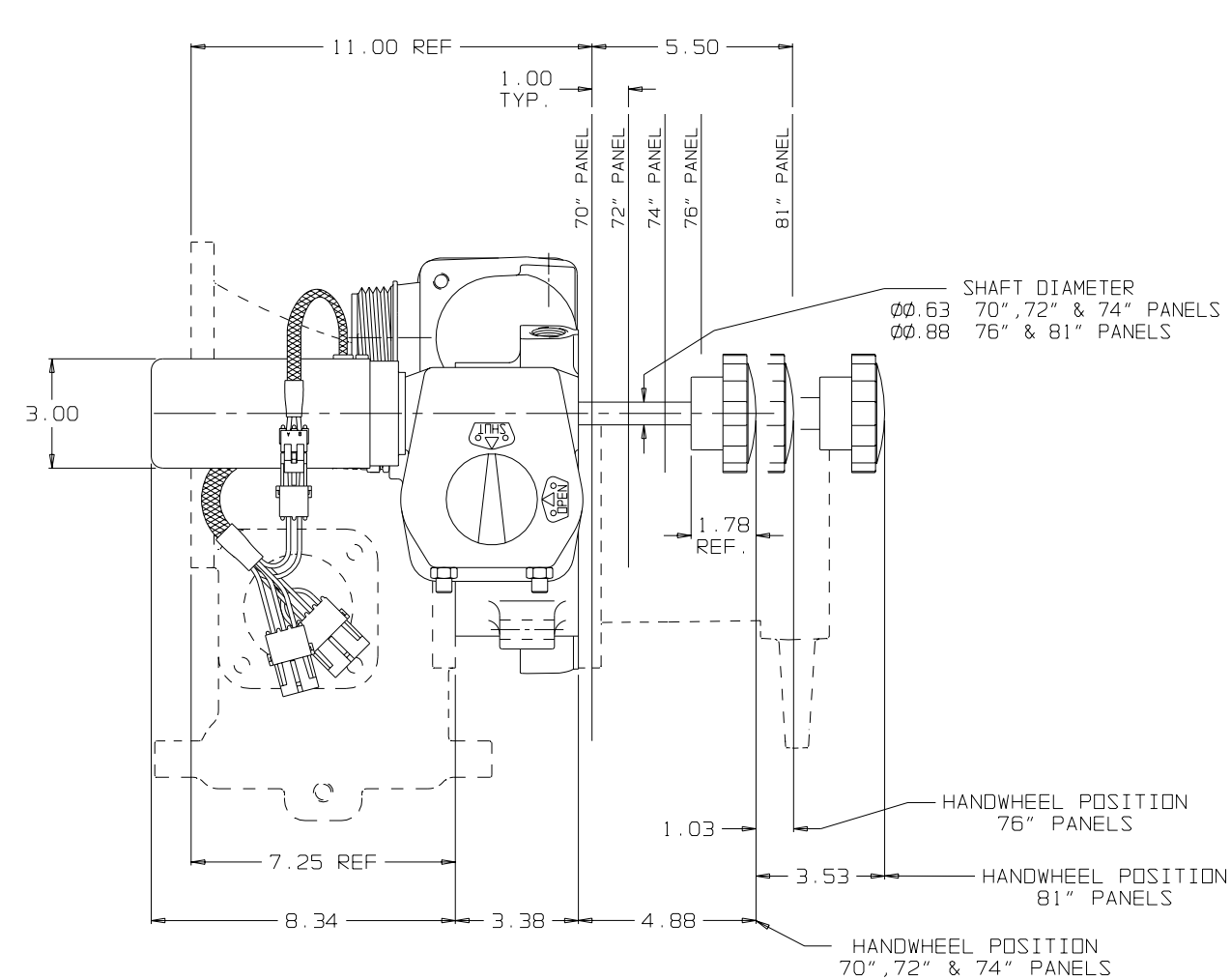
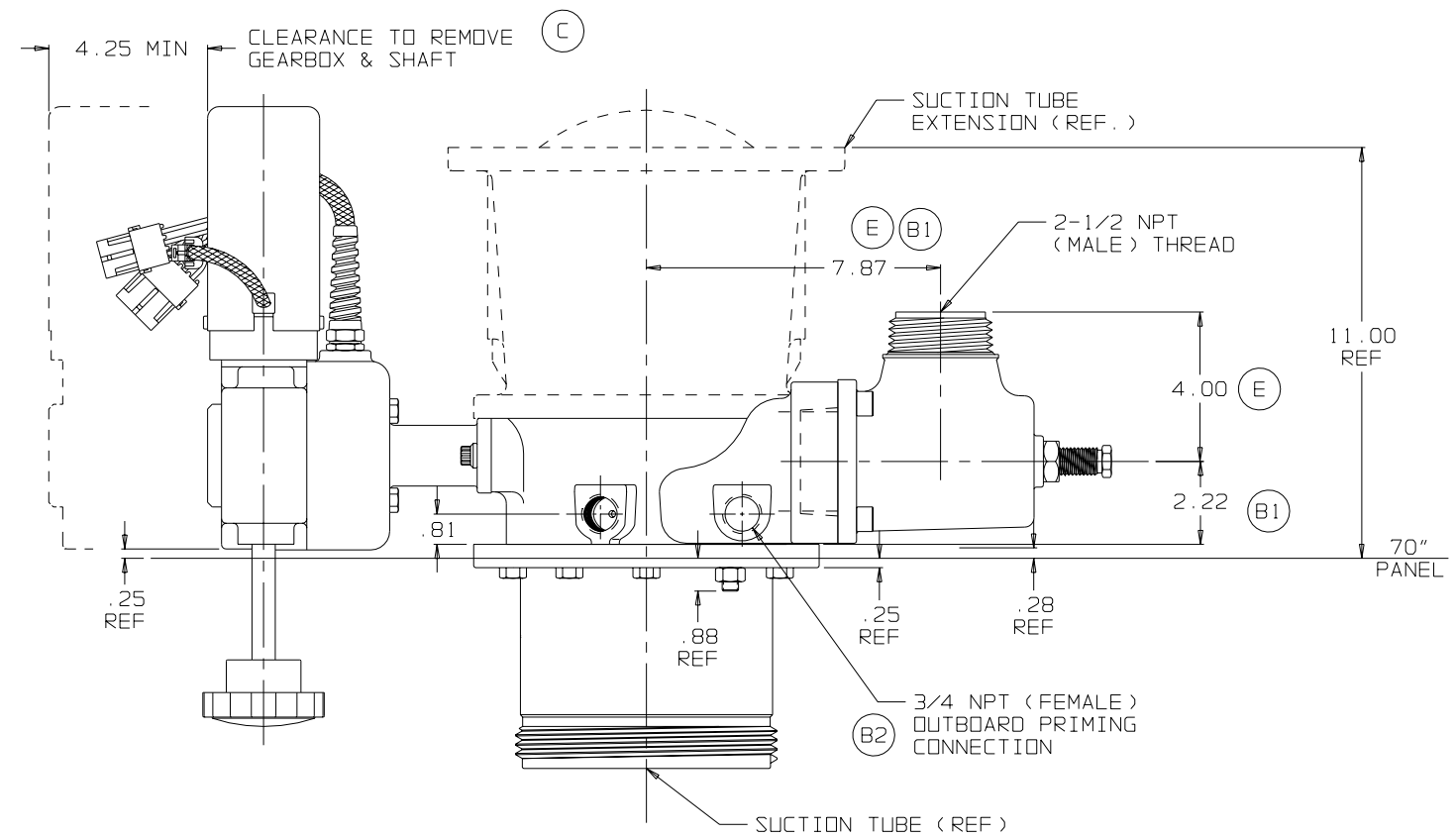
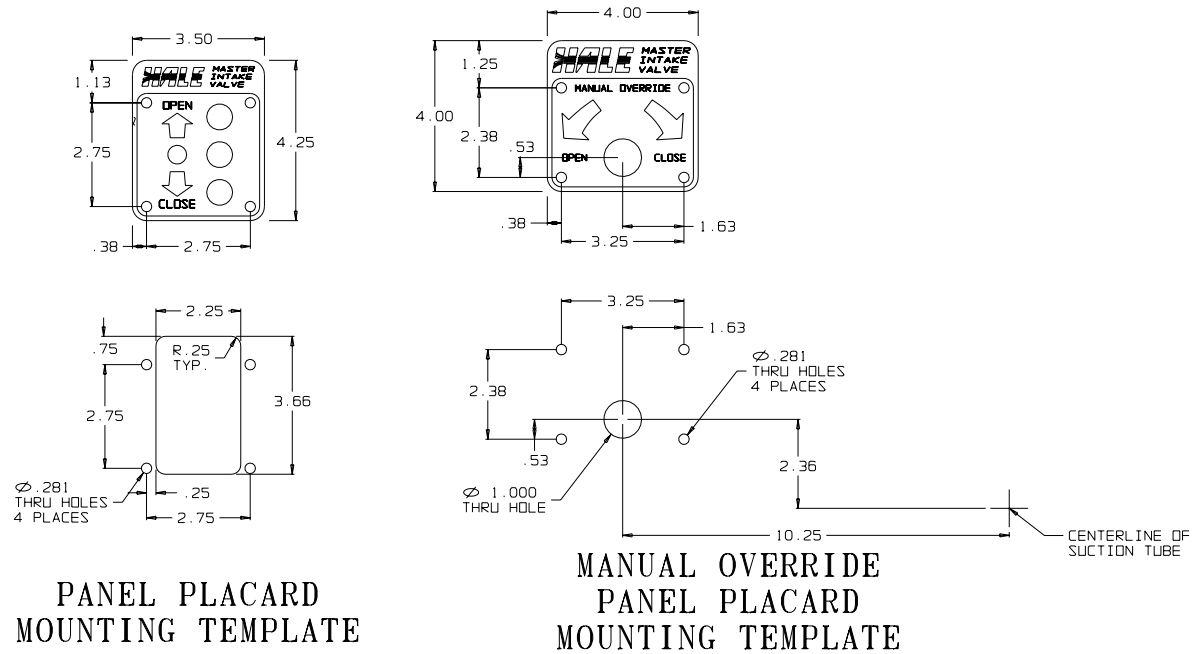


HALE MASTER INTAKE VALVE (ELECTRIC) MIV-E



(12) 7/16 MOUNTING BOLTS EQUALLY SPACED ON 8.25 B.C.
 NOTE: ONLY 10 BOLTS ARE ACTUALLY USED.

ECD NO	REV	CHANGED FROM	BY	DATE	APVD
00-354	D	UPDATED PANEL PLACARD TEMPLATE	PRW	2-7-00	RET
0057	E	REPLACED RELIEF VALVE	JFG	4-8-05	MAL

ECD NO	REV	CHANGED FROM	BY	DATE	APVD
95-20	A	RELEASE FOR PRODUCTION	DLM	4-26-95	RET
96-104	B	1) MOVED RELIEF VALVE FLANGE 2) ADDED 3/4NPT PRIMING PORT	DLM	8-6-96	RET
97-158	C	ADDED CLEARANCE TO REMOVE NOTE	DLM	7-28-97	RET

HALE HALE PRODUCTS, INC.
 A Unit of IDEX Corporation
 Conshohocken, PA 19428 USA

COPYRIGHT © NOT TO BE REPRODUCED OR USED TO MAKE OTHER DRAWINGS OR MACHINERY. DRAWN: DLM, DATE: 2-21-95, CHECKED: []

SIZE: F, SCALE: HALF