

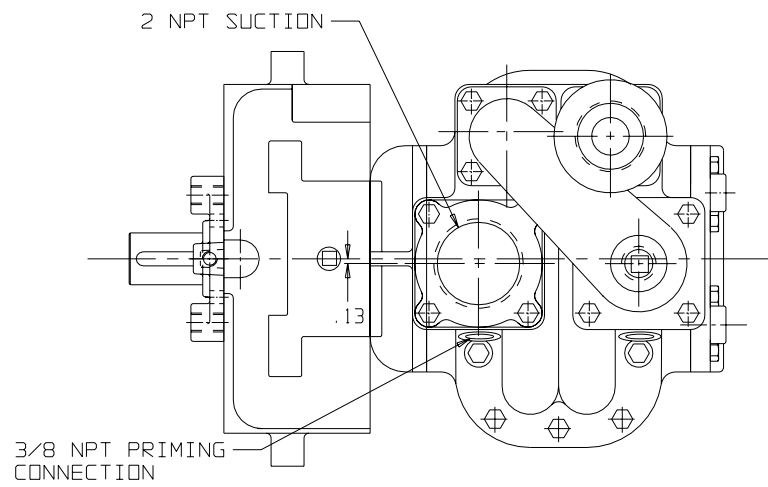
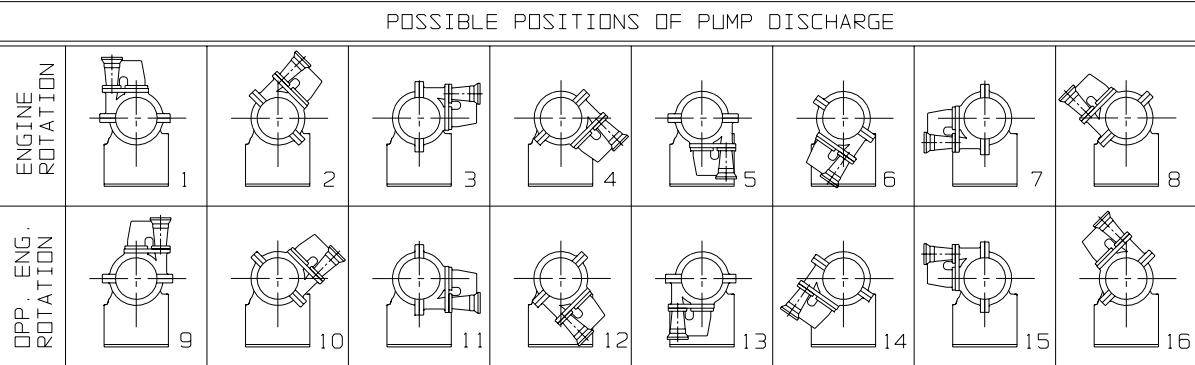
HALE TYPE 2CBP SERIES PUMP

WARNING

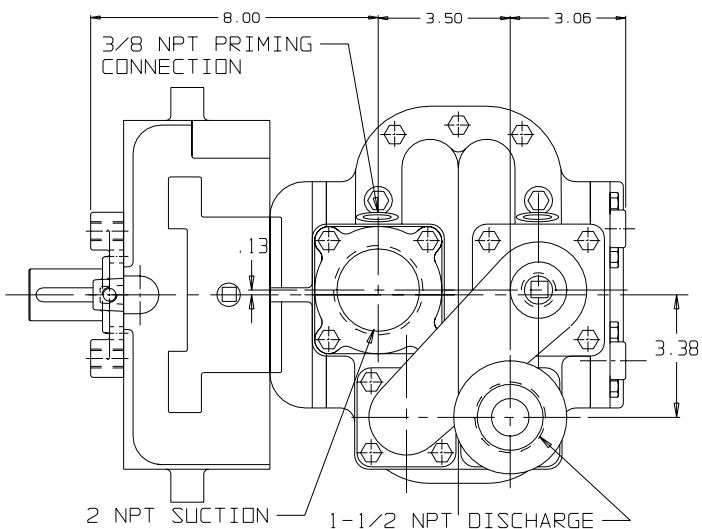
EXCEEDING THESE LIMITS OR FAILURE TO FOLLOW THE RECOMMENDATIONS OUTLINED ON THIS DRAWING COULD DAMAGE THE PUMP AND RESULT IN PERSONAL INJURY.
 MAX PUMP PRESSURE:
 HYDRODYNAMIC = 1000 PSI
 HYDROSTATIC = 1000 PSI
 MAX POWER INPUT FOR PUMPING = 100HP
 MAX PUMP INPUT RPM =
 PUMP RATIO 2.00 2.83 3.94 4.93
 RPM 4460 3150 2260 1810
 READ LIMIT CHART F-72 AND I-91 FOR ADDITIONAL DATA.

VOLUTE CAN BE MOUNTED IN ANY POSITION SHOWN, POSITION 1 OR 9 SUPPLIED BY HALE.
 PRIMING AND DRAIN TAPS NECESSARY FOR MOUNTINGS IN ANY POSITION ARE STANDARD

POSSIBLE POSITIONS OF PUMP DISCHARGE



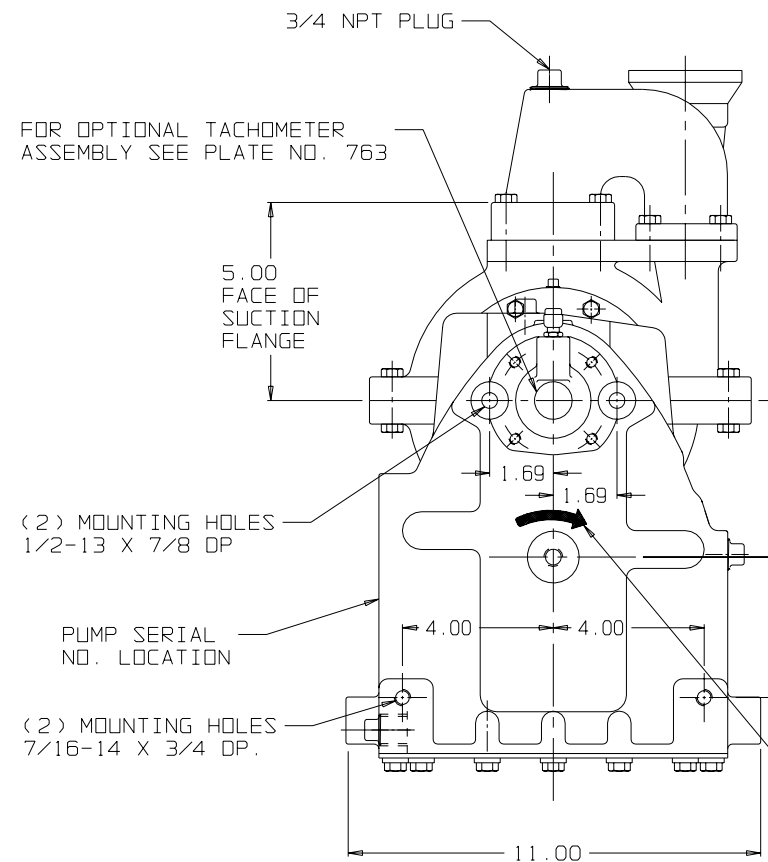
TOP VIEW SHOWING LOCATION OF DISCHARGE OPENING WITH PUMP ASSEMBLED FOR OPPOSITE ENGINE ROTATION POWER TAKE-OFF.



TOP VIEW SHOWING LOCATION OF DISCHARGE OPENING WITH PUMP ASSEMBLED FOR ENGINE ROTATION POWER TAKE-OFF.

PUMP TYPE	RATIO	DIMENSIONS		WT LBS
		A	B	
2CBP2	1:2.00	3.44	4.13	114
2CBP3	1:2.83	3.44	4.13	115
2CBP4	1:3.94	4.44	3.13	118
2CBP5	1:4.93	4.44	3.13	120

TO CONFORM TO NFPA 1901, APPARATUS MANUFACTURER MUST FURNISH A VISUAL INDICATOR AT THE DRIVERS POSITION WHEN THE PUMP POWER TAKE-OFF IS ENGAGED FOR PUMP AND ROLL OPERATION.



FOR OPTIONAL TACHOMETER ASSEMBLY SEE PLATE NO. 763

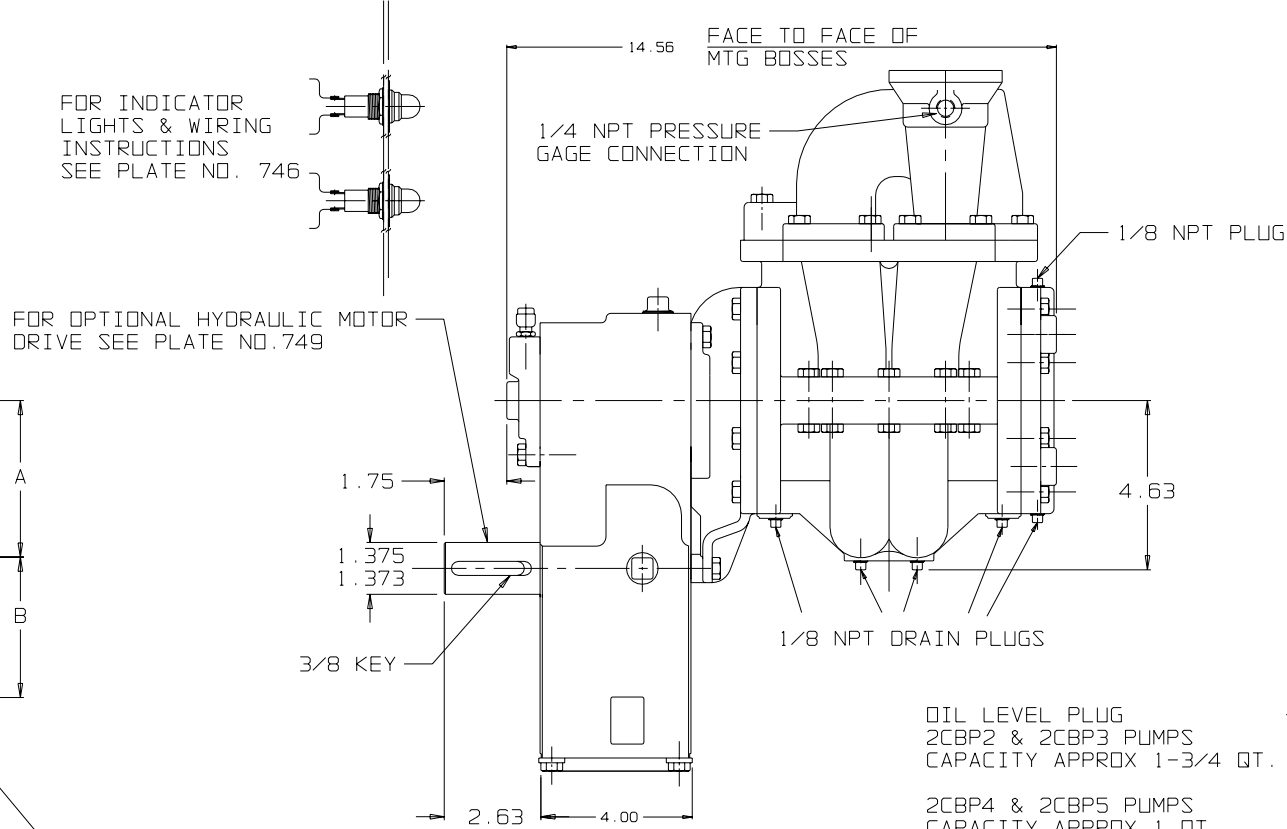
5.00 FACE OF SUCTION FLANGE

(2) MOUNTING HOLES 1/2-13 X 7/8 DP

PUMP SERIAL NO. LOCATION

(2) MOUNTING HOLES 7/16-14 X 3/4 DP

PLATE NO. 447CA



FOR INDICATOR LIGHTS & WIRING INSTRUCTIONS SEE PLATE NO. 746

FOR OPTIONAL HYDRAULIC MOTOR DRIVE SEE PLATE NO. 749

FACE TO FACE OF MTG BOSSES

1/4 NPT PRESSURE GAGE CONNECTION

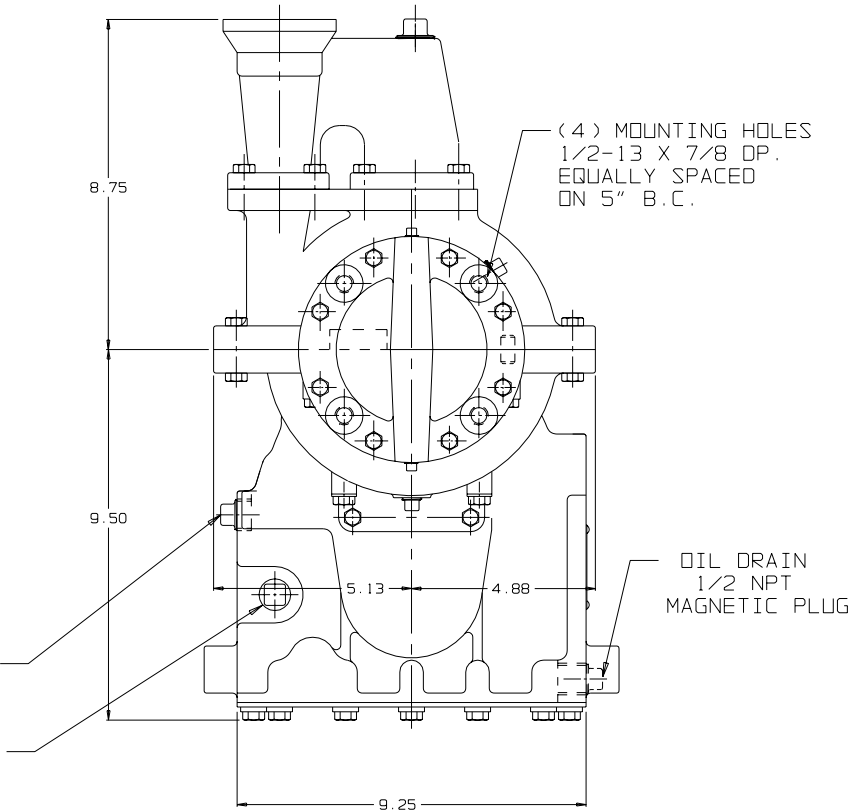
1/8 NPT PLUG

1/8 NPT DRAIN PLUGS

3/8 KEY

OIL LEVEL PLUG
 2CBP2 & 2CBP3 PUMPS
 CAPACITY APPROX 1-3/4 QT.
 2CBP4 & 2CBP5 PUMPS
 CAPACITY APPROX 1 QT.
 FILL TO LEVEL WITH
 SAE EP-90 OR 80W-90 OIL.

ARROW SHOWS DIRECTION OF ROTATION FOR "ENGINE ROTATION PTO". ROTATION WILL BE REVERSED FOR "OPPOSITE ENGINE ROTATION PTO".



(4) MOUNTING HOLES 1/2-13 X 7/8 DP. EQUALLY SPACED ON 5" B.C.

OIL DRAIN 1/2 NPT MAGNETIC PLUG

97-168	A	REDRAWN ON CAD - UPDATED	JH	8-12-97	MD
ECO NO	REV	CHANGED FROM	BY	DATE	APVD

HALE

HALE PRODUCTS, INC.
 A Unit of IDEX Corporation
 Conshohocken, PA 19428 USA

COPYRIGHT © NOT TO BE REPRODUCED OR USED TO MAKE OTHER DRAWINGS OR MACHINERY.		DRAWN	WFM	DATE	1-19-93	SIZE	SCALE: HALF
CHECKED	RET					F	