

HALE TYPE CBP SERIES PUMP

WARNING

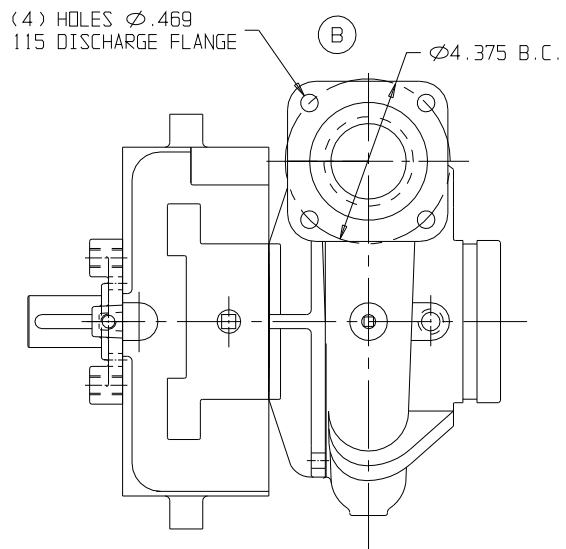
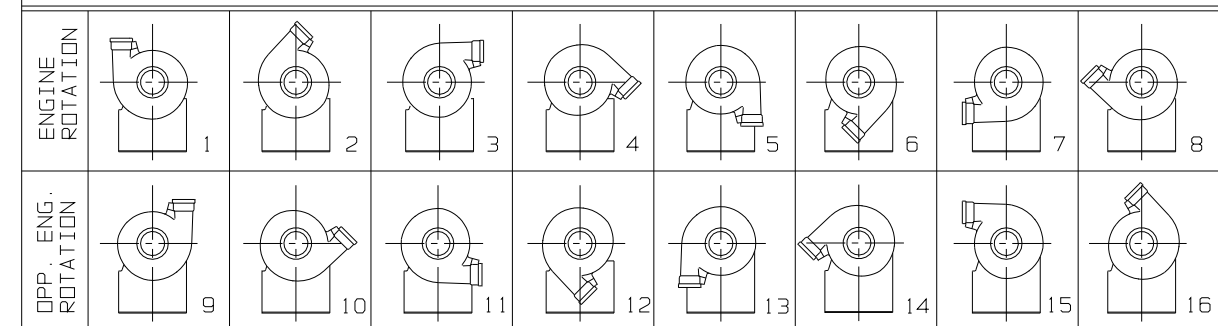
EXCEEDING THESE LIMITS OR FAILURE TO FOLLOW THE RECOMMENDATIONS OUTLINED ON THIS DRAWING COULD DAMAGE THE PUMP AND RESULT IN PERSONAL INJURY.

MAX PUMP PRESSURE:
 HYDRODYNAMIC = 400PSI
 HYDROSTATIC = 500PSI
 MAX POWER INPUT FOR PUMPING = 100HP
 MAX PUMP INPUT RPM =
 PUMP RATIO 2.00 2.83 3.94 4.93
 RPM 4060 2870 2060 1650

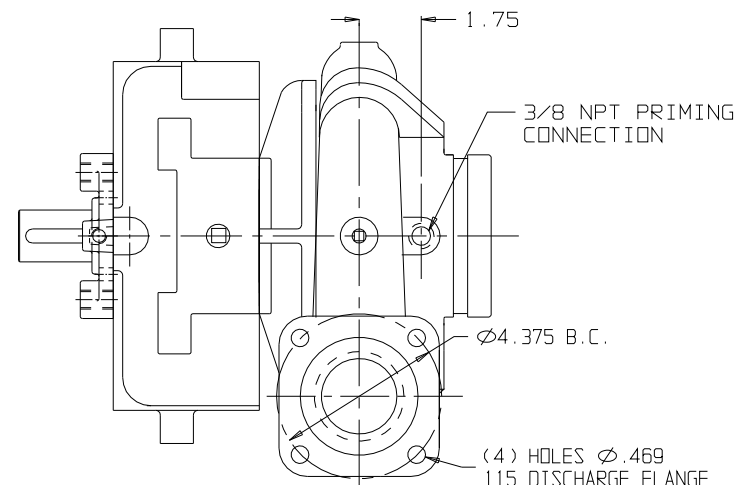
READ LIMIT CHART F-72 AND I-91 FOR ADDITIONAL DATA

VOLUTE CAN BE MOUNTED IN ANY POSITION SHOWN, POSITION 1 OR 9 SUPPLIED BY HALE. PRIMING AND DRAIN TAPS NECESSARY FOR MOUNTINGS IN ANY POSITION ARE STANDARD.

POSSIBLE POSITIONS OF PUMP DISCHARGE



TOP VIEW SHOWING LOCATION OF DISCHARGE OPENING WITH PUMP ASSEMBLED FOR OPPOSITE ENGINE ROTATION POWER TAKE-OFF



TOP VIEW SHOWING LOCATION OF DISCHARGE OPENING WITH PUMP ASSEMBLED FOR ENGINE ROTATION POWER TAKE-OFF

PUMP TYPE	RATIO	DIMENSIONS		WT LBS
		A	B	
CBP2	1:2.00	3.44	4.13	82
CBP3	1:2.83	3.44	4.13	83
CBP4	1:3.94	4.44	3.13	86
CBP5	1:4.93	4.44	3.13	88

TO CONFORM TO NFPA 1901, APPARATUS MANUFACTURER MUST FURNISH A VISUAL INDICATOR AT THE DRIVERS POSITION WHEN THE PUMP POWER TAKE-OFF IS ENGAGED FOR PUMP AND ROLL OPERATION.

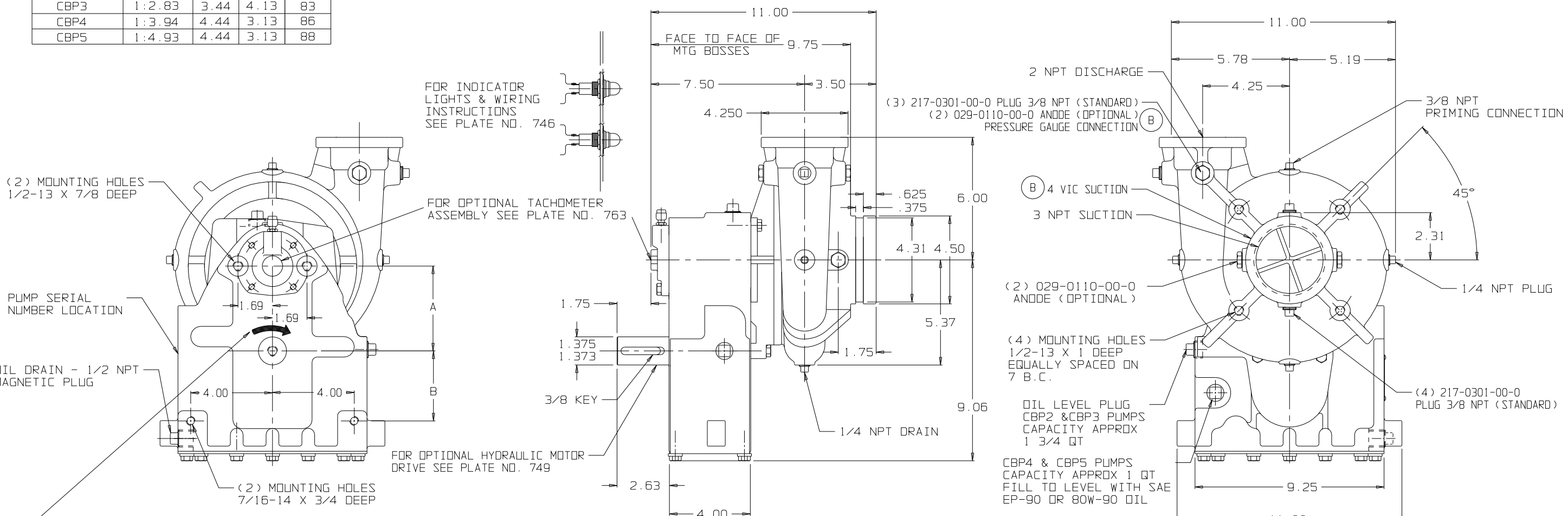


PLATE NO. 410DB

0444	B	ADDED 1 1/2 INCH FLANGE AND VIC, ADDED BOSSES FOR 3/8 NPT TAPS, REMOVED 1/4 NPT TAP	JRP	6-26-08	MAL
97-168	A	REDRAWN ON CAD - UPDATED	JH	8-12-97	MD
ECD NO	REV	CHANGED FROM	BY	DATE	APVD

HALE PRODUCTS, INC.
 A Unit of IDEX Corporation
 Conshohocken, PA 19428 USA

HALE
 COPYRIGHT © NOT TO BE REPRODUCED OR USED TO MAKE OTHER DRAWINGS OR MACHINERY.
 DRAWN [] RDT [] DATE 3-19-95
 CHECKED [] RET []
 SIZE F SCALE: HALF