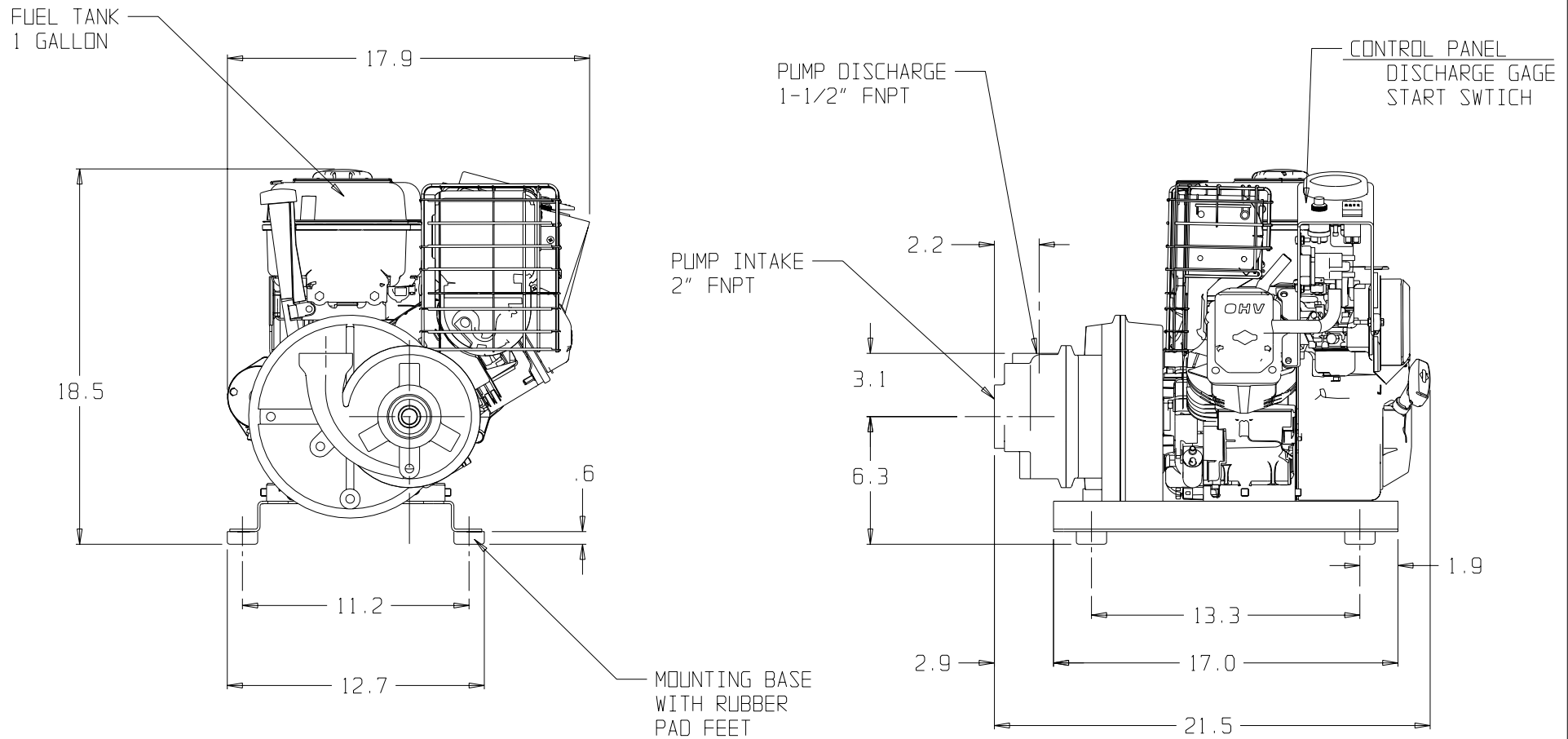


HPX75-B11 PORTABLE UNIT




NOTES:

1. REFERENCE PLATE 935 FOR OPTIONAL SUCTION/DISCHARGE ADAPTERS
2. WEIGHT IS APPROXIMATE, ACTUAL WEIGHT DEPENDS ON FINAL CONFIGURATION

WEIGHT: 142LBS
SEE NOTE 2

PLATE NO. 1056AA

ECO NO	REV	CHANGED FROM	BY	DATE	APVD				
<div style="display: flex; justify-content: space-between; align-items: center;"> <div style="text-align: center;">  <p>HALE PRODUCTS, INC. A Unit of IDEX Corporation Conshohocken, PA 19428 USA</p> </div> <div style="text-align: right;"> <p>DATE 12-2-04</p> </div> </div>									
<small>NOT TO BE REPRODUCED OR USED TO MAKE OTHER DRAWINGS OR MACHINERY</small>									
<small>DRAWN JBS CHECKED MAL DATE 12-2-04 SIZE B SCALE: NONE</small>									