

# HPX300-BD26 DIESEL SLIP-ON PUMP

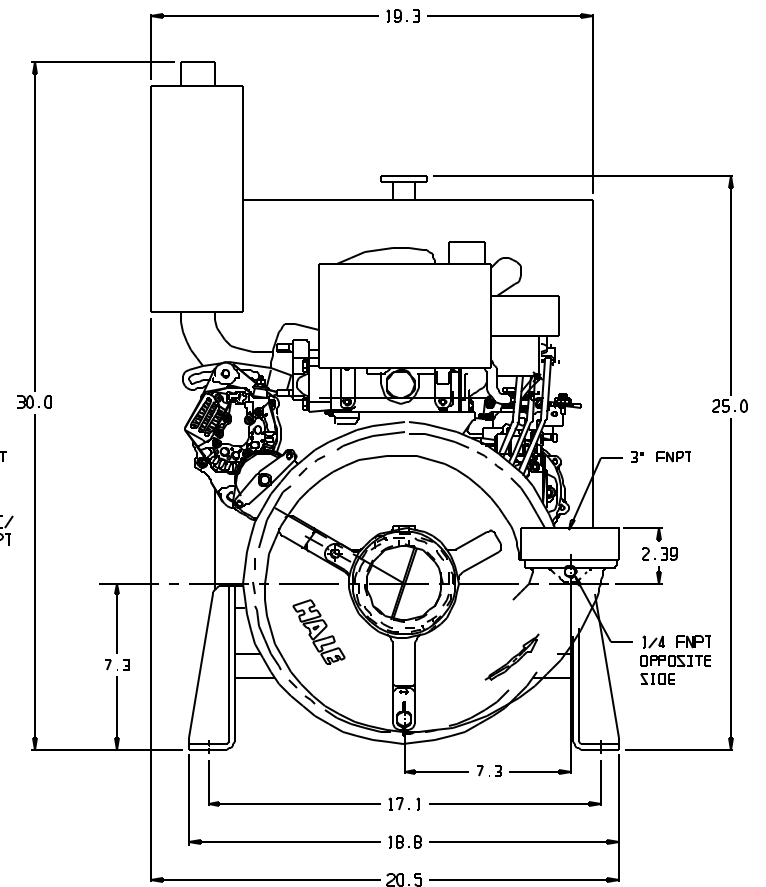
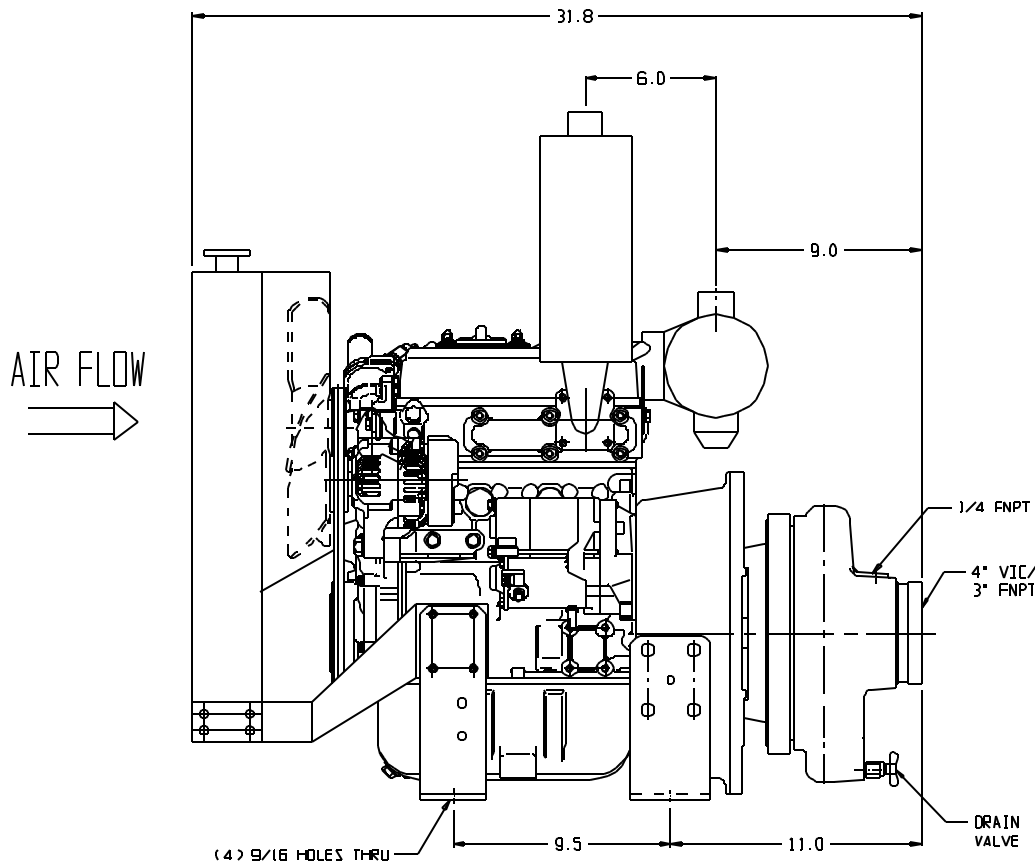
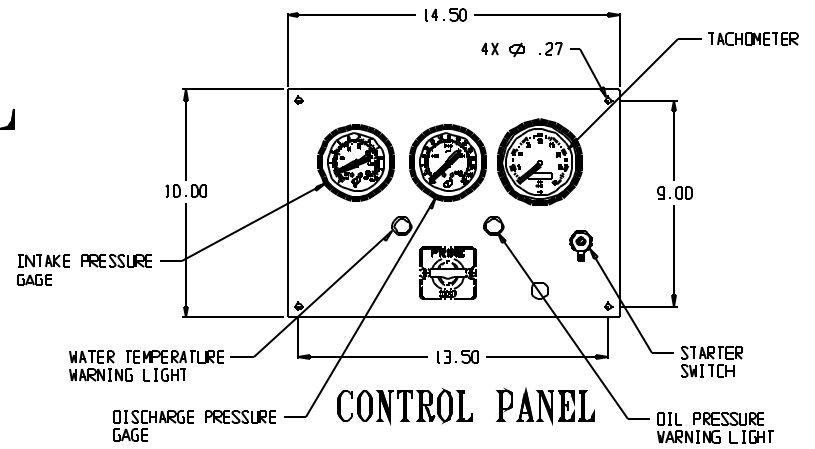


PLATE NO. EQ723A

ECO NO	REV	CHANGED FROM	BY	DATE	APVD
07-184	A	INITIAL RELEASE	JBS	06-27-02	HAL


**HALE PRODUCTS, INC.**  
 A Unit of IDEX Corporation  
 Conshohocken, PA 19380 USA  
CONTROL 2 DRAWN JBS DATE 05-27-02

SCALE: NONE