

HPX200-BD26 DIESEL SLIP-ON PUMP

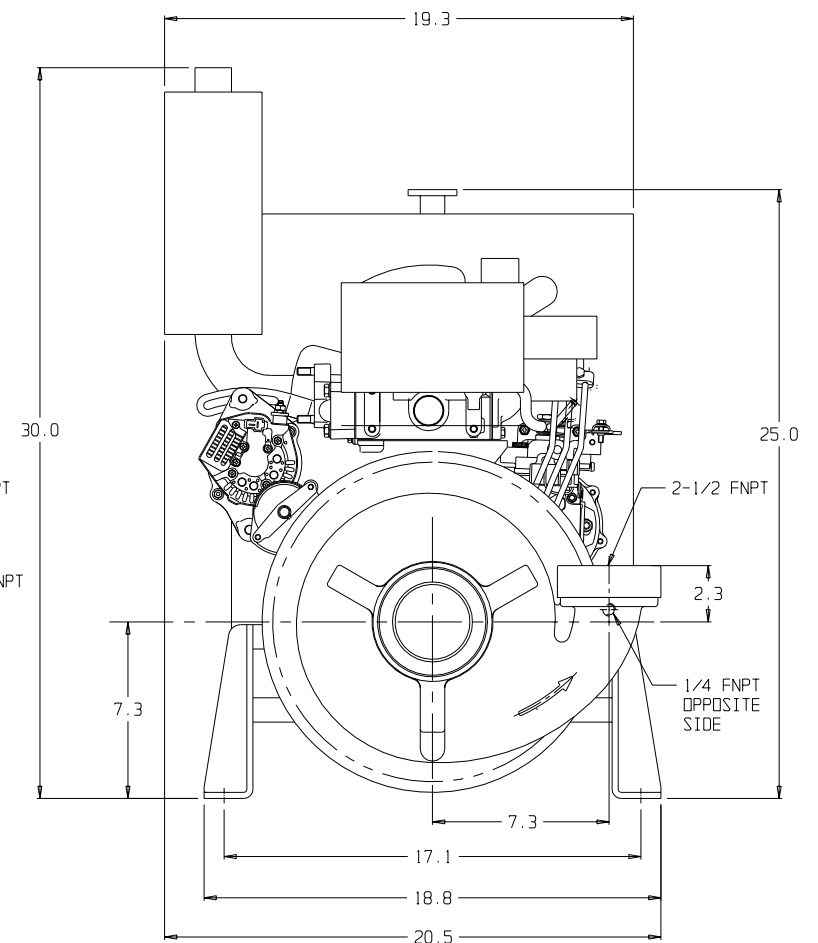
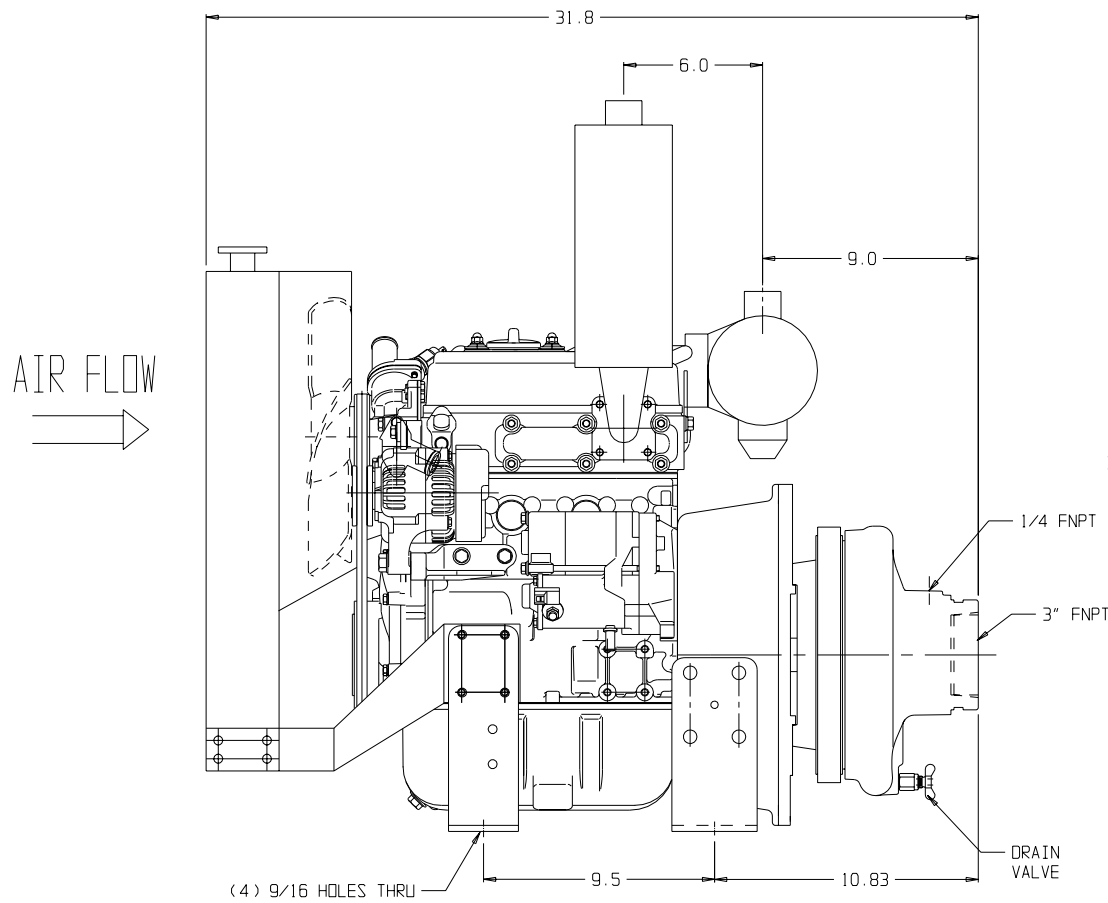
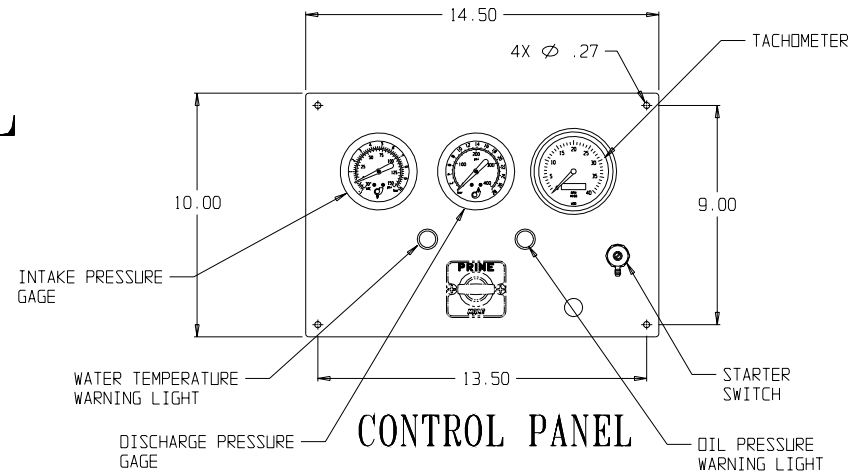


PLATE NO. EQ722C

ECD NO	REV	CHANGED FROM	BY	DATE	APVD
TN88-20		RELEASED	MS	3-6-98	MS
TN88-37	A	ADDED ENG. MOUNTS	MS	6-11-98	MS
TN89-04	B	CHANGED PUMP NAME	JK	01-30-99	JK
02-089	C	UPDATED DIMENSIONS, ADDED PANEL	JBS	03-28-02	MAL

HALE PRODUCTS, INC.
A Unit of IDEX Corporation
Conshohocken, PA 19342B USA

DRYAN: TEL: 610-261-1100
CHECKED: DATE: 11-14-97
SCALE: NONE

NOT TO BE REPRODUCED OR USED IN ANY MANNER WITHOUT THE WRITTEN PERMISSION OF IDEX CORPORATION