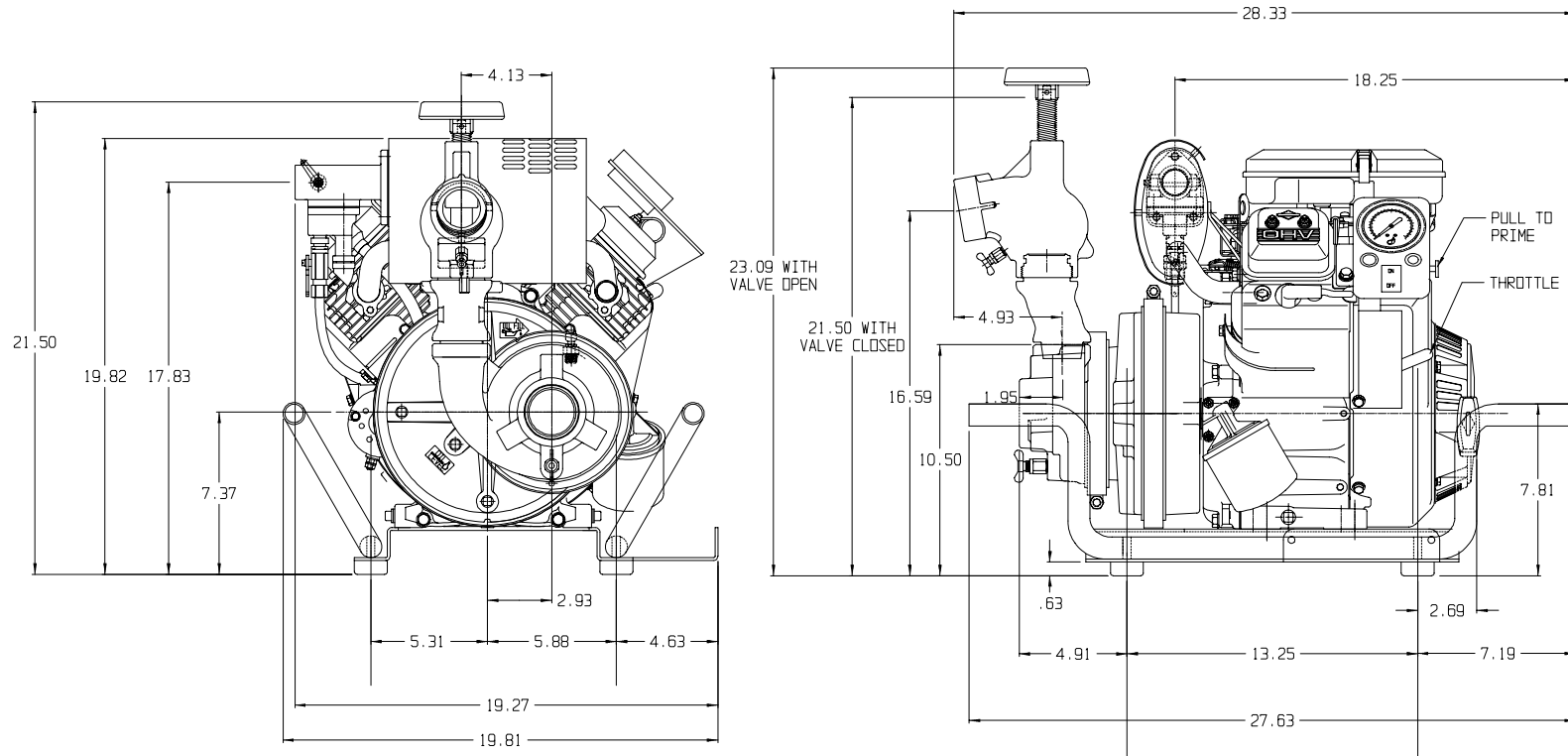


WEIGHT: 171 LBS



MODEL: HPT75-B18 AND HPT100-B18

NOTE: WEIGHT IS APPROXIMATE. ACTUAL WEIGHT DEPENDS ON FINAL CONFIGURATION.

PLATE NO. EQ737

ECO NO	REV	CHANGED FROM	BY	DATE	APVD
		RELEASED	CJ	3-4-99	JK

**HALE** HALE PRODUCTS, INC.  
A Unit of IDEX Corporation  
Conshohocken, PA 19428 USA

NOT TO BE REPRODUCED OR USED TO MAKE OTHER CHANGES OR IMPROVEMENTS WITHOUT THE WRITTEN PERMISSION OF IDEX CORPORATION. (CHECKED) JK DATE 3-4-99 SIZE 1/8 SCALE: NONE