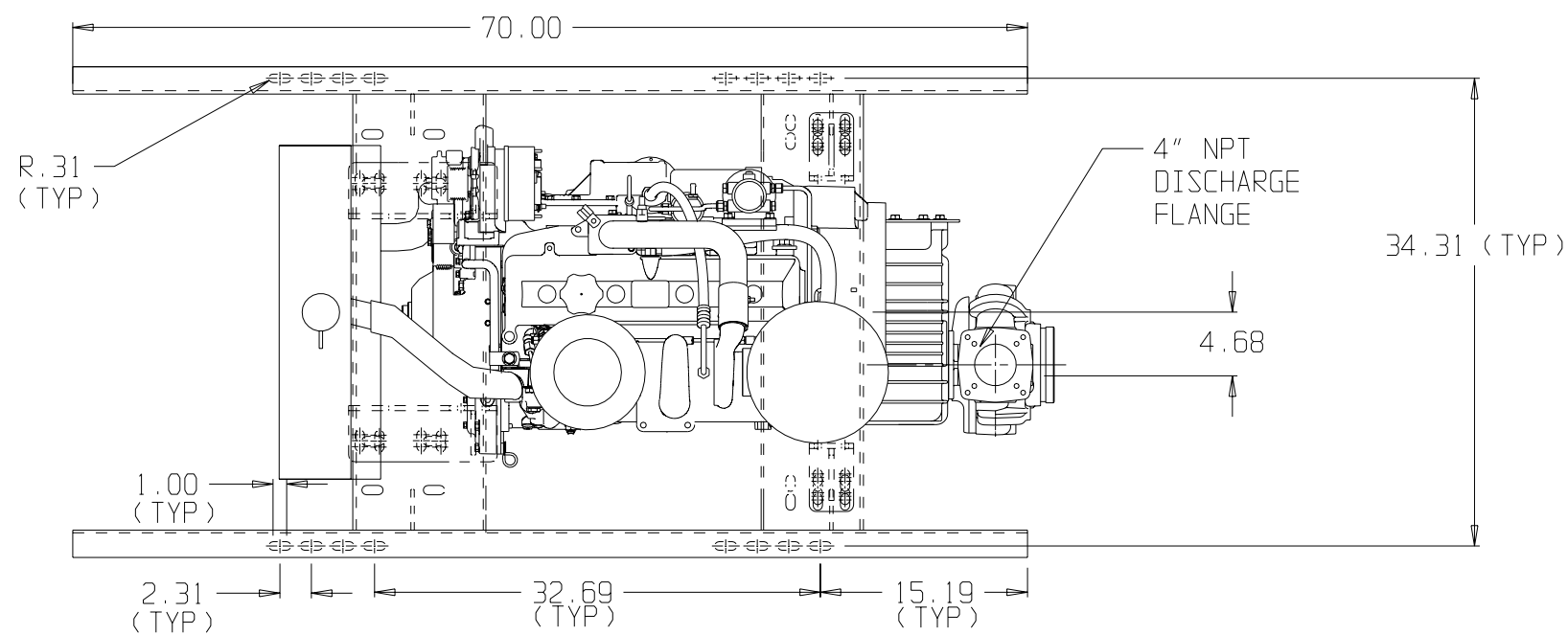


FP500 DJ-0 CROSS CHASSIS UNIT



NOTES:

- 1) APPROXIMATE WEIGHT 1,400 LBS. - DRY
- 2) PUMP END IS AN APS-M WITH 7.50 O.D. IMPELLER, SEE PLATE NO. 1027B FOR DETAILS.

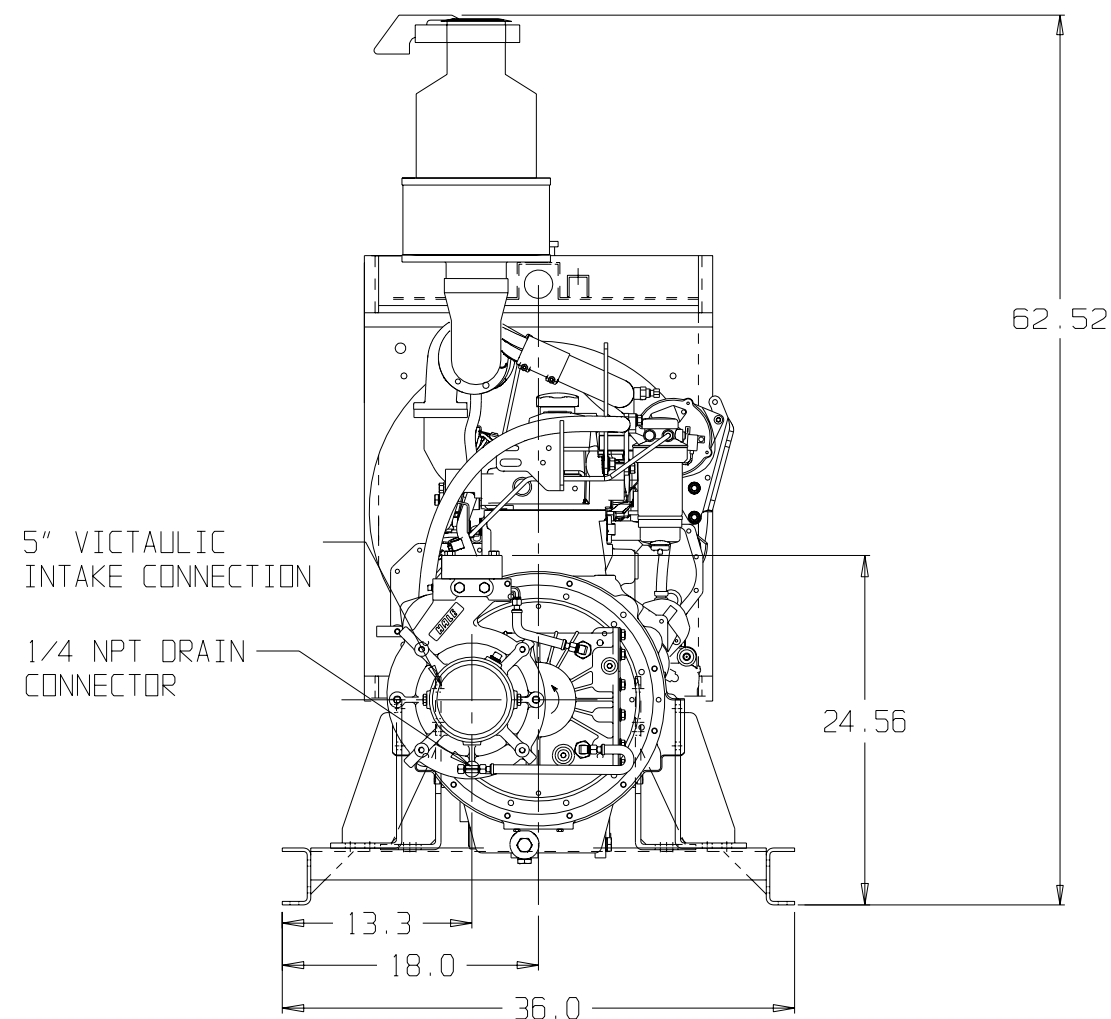
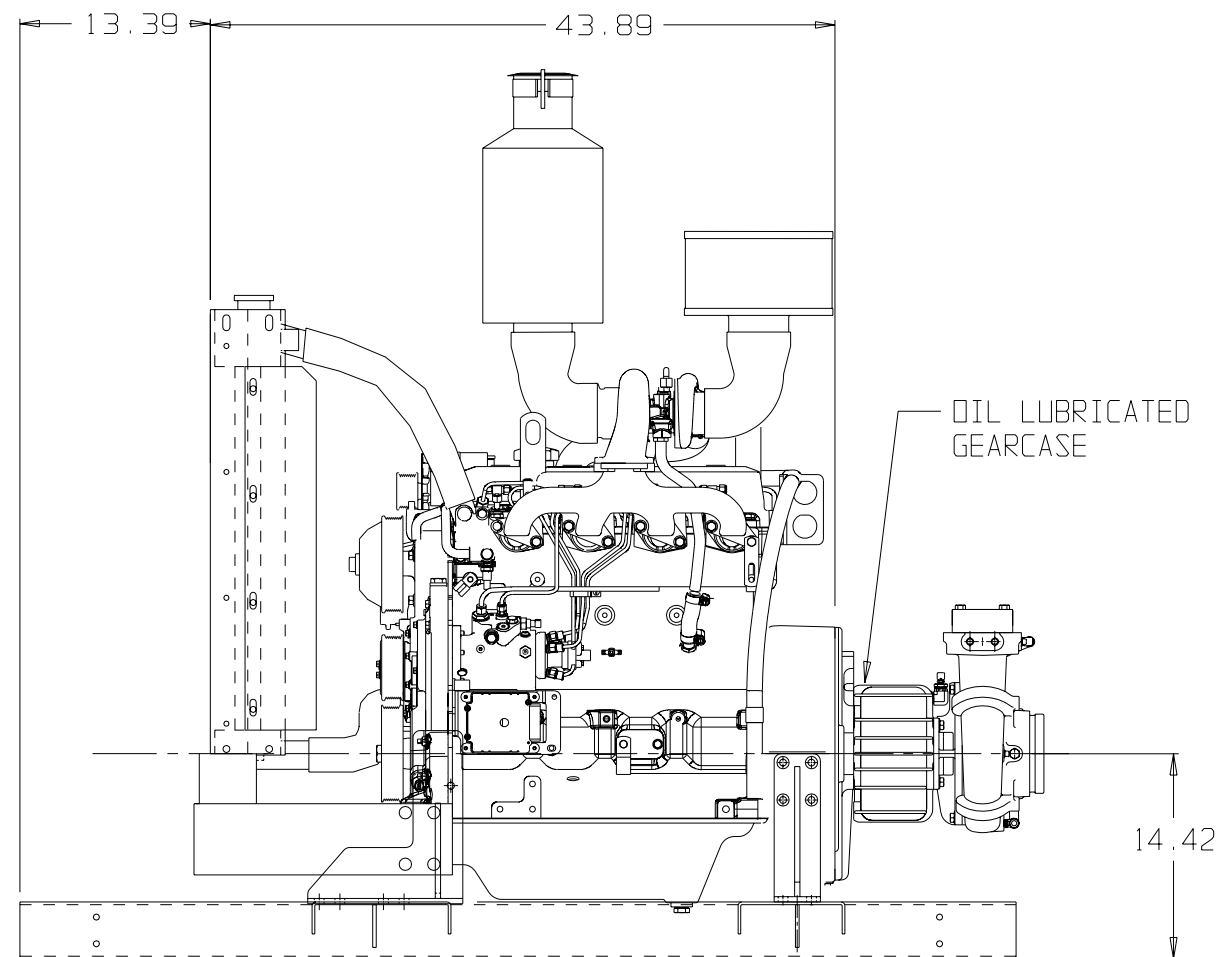


PLATE NO. 1076AA

| ECD NO | REV | CHANGED FROM | BY | DATE | APVD |
|--------|-----|-----------------------|-----|----------|------|
| 0235 | A | RELEASE TO PRODUCTION | TRB | 12/13/05 | MAL |
| | | | | | |
| | | | | | |



HALE PRODUCTS, INC.
A Unit of IDEX Corporation
Conshohocken, PA 19428 USA

NOT TO BE REPRODUCED OR USED TO MAKE OTHER DRAWINGS OR MACHINERY. DRAWN TRB CHECKED MAL DATE 12/13/05 SIZE B SCALE: NONE