

PUMP MODEL	GEARBOX MODEL	GEAR RATIO	D	E	G	H	J
DSD*-28X	XG	2.83	20.94 (532)	15.56 (395)	5.44 (138)	4.06 (103)	1.84 (47)
DSD*-25X		2.55		15.75 (400)			
DSD*-23X		2.32		15.91 (404)			
DSD*-21X		2.13		16.06 (408)			
DSD*-19X		1.96		16.25 (413)			
DSD*-23L	LG	2.28	18.56 (471)	13.38 (340)	4.31 (109)	5.19 (132)	2.00 (51)
DSD*-21L		2.05		13.56 (344)			
DSD*-19L		1.86		13.75 (349)			
DSD*-17L		1.71		13.94 (354)			
DSD*-15L		1.58		14.13 (359)			

THE HALE TYPE DSD PUMP IS AVAILABLE IN 750, 1000, 1250 & 1500 GPM NFPA RATINGS. THE COMPLETE PUMP MODEL NUMBER IS FORMED AS FOLLOWS:

FOR EXAMPLE, A DSD PUMP IS REQUIRED TO HAVE A 1250 GPM RATING WITH A 2.28 GEAR RATIO. A X-SERIES GEARBOX IS DESIRED. THE PUMP MODEL NUMBER WOULD BE AS SHOWN:

DSD 125 23 X

PUMP RATED PUMP GEARBOX
MODEL CAPACITY RATIO TYPE

WARNING

EXCEEDING THESE LIMITS OR FAILURE TO FOLLOW THE RECOMMENDATIONS OUTLINED ON THIS DRAWING COULD DAMAGE THE PUMP AND RESULT IN PERSONAL INJURY.

MAXIMUM GEARBOX SHAFT TORQUE (RQAD) = 16,000 LBS-FT (21,693 N-m)

PUMP MODEL	MAX GEARBOX INPUT RPM
DSD*-23	2630
DSD*-21	2920
DSD*-19	3220
DSD*-17	3500
DSD*-15	3800

SEE HALE TORQUE LIMIT CHART F-72 FOR ADDITIONAL DATA.
MAXIMUM ALLOWABLE HYDRODYNAMIC PRESSURE: 400 PSIG
MAXIMUM ALLOWABLE HYDROSTATIC PRESSURE: 600 PSIG

THIS PRODUCT AND ITS COMPONENTS MAY BE PROTECTED BY ONE OR MORE OF THE FOLLOWING U.S. PATENTS AND OTHER PATENTS PENDING:

4,337,830 5,018,665
4,587,862 5,139,393
4,653,978

NOTES:

- 1) DIMENSIONS ARE IN INCHES & (MILLIMETERS)
- 2) PRIMING SYSTEM, DISCHARGE & SUCTION VALVES ARE AVAILABLE.
- 3) CENTERLINE OF INPUT SHAFT TO CENTERLINE OF IMPELLER
- 4) RELIEF VALVES ARE AVAILABLE IN THE FOLLOWING MODELS:

RELIEF VALVE MAXIMUM FLOW LIMIT	RELIEF VALVE MODEL
1000 GPM (3785 L)	P30F
1250 GPM (4731 L)	P35
1500 GPM (5678 L)	TPM/P35 SYSTEM

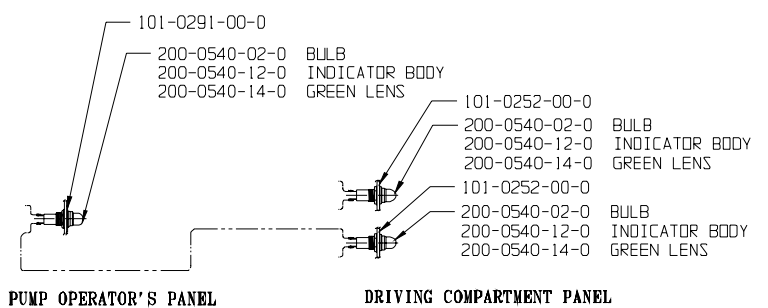
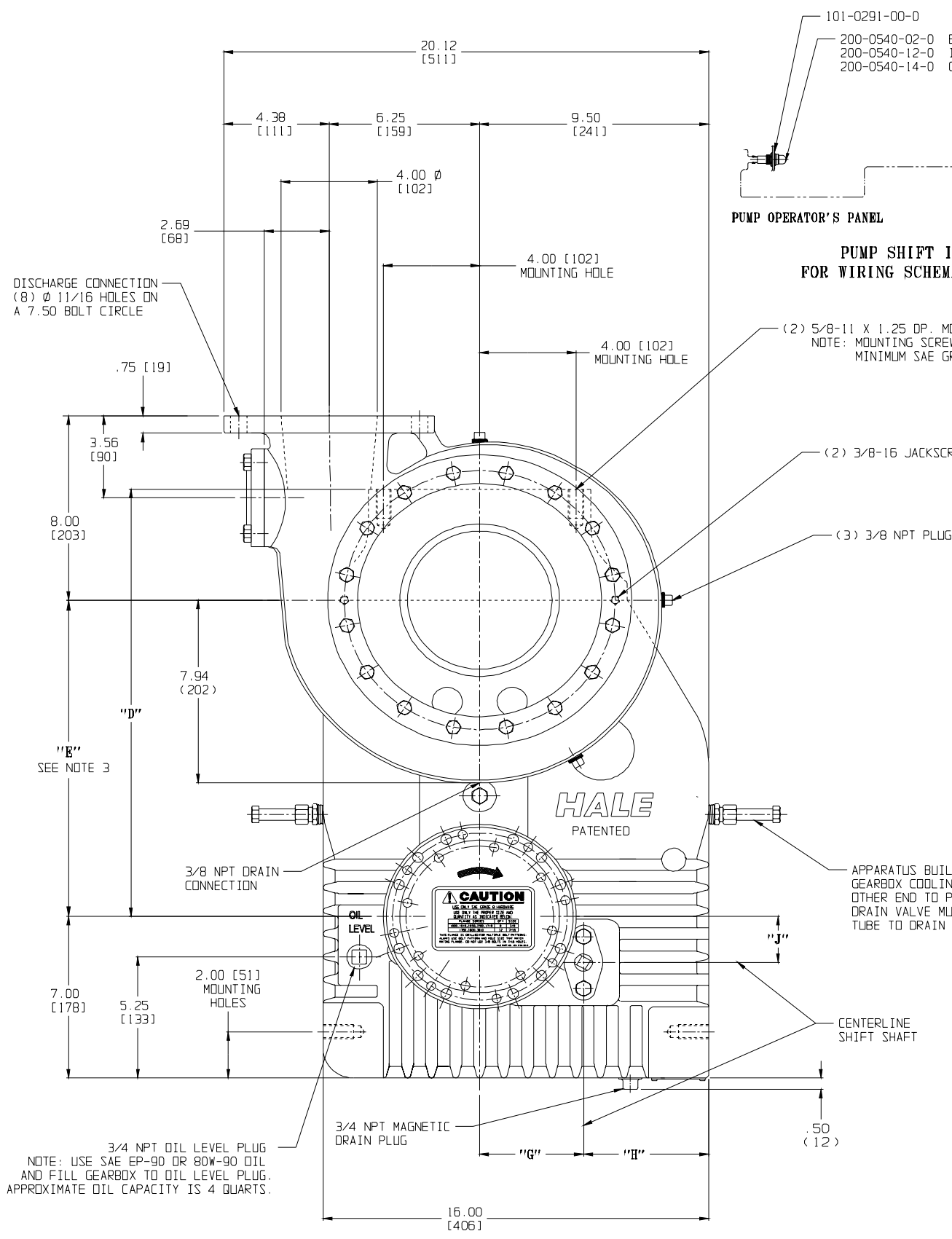
STANDARD FLANGES

THE HALE COMBINATION FLANGES ARE SIZED FOR SPICER 1600, 1700 AND 1800 SERIES FLANGES.

1600 SERIES WITH 6-5/8 DIA FEMALE PILOT, USE (8) 3/8 DIA SAE GRADE 8 SCREWS.

1700 SERIES WITH 7-3/4 DIA FEMALE PILOT, USE (8) 3/8 DIA SAE GRADE 8 SCREWS.

1800 SERIES WITH 7-3/4 DIA FEMALE PILOT, USE (12) 7/16 DIA SAE GRADE 8 SCREWS.



PUMP OPERATOR'S PANEL

DRIVING COMPARTMENT PANEL

PUMP SHIFT INDICATOR LIGHTS
FOR WIRING SCHEMATIC SEE PLATE NO. 746

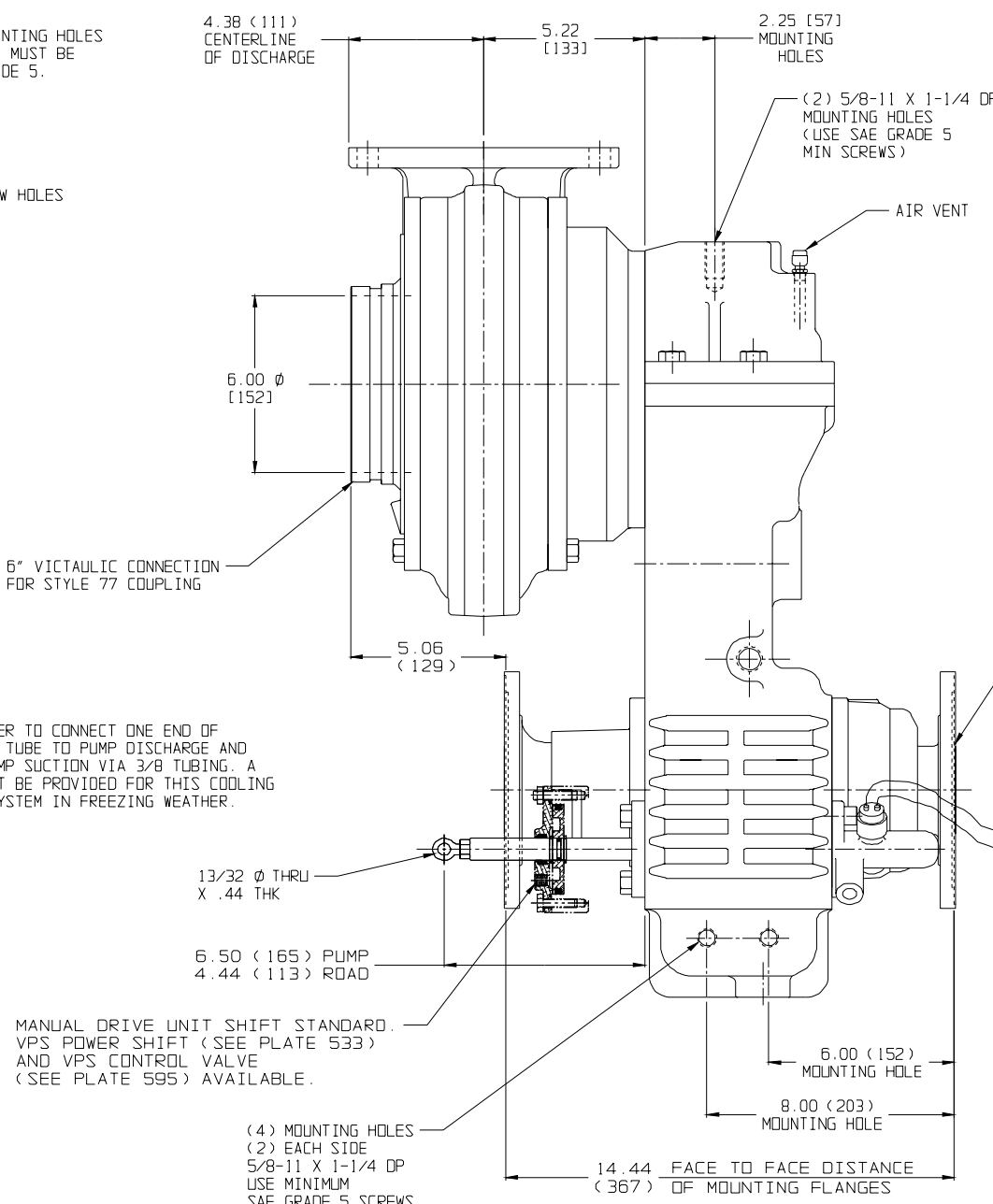


PLATE NO. 916AA

HALE TYPE DSD SERIES PUMP
WITH "G" SERIES GEARBOX

99-211	A	RELEASE TO PRODUCTION	DL	8-6-99	RET
ECD NO	REV	CHANGED FROM	BY	DATE	APVD

HALE HALE PRODUCTS, INC.
A Unit of IDEX Corporation
Conshohocken, PA 19380 USA

NOT TO BE REPRODUCED OR USED TO MAKE OTHER DRAWINGS OR MACHINERY

DRAWN [] DPL [] DATE 8-6-99

CHECKED [] MO []

SIZE [] SCALE: .25