

HALE TYPE 2CBP SERIES PUMP

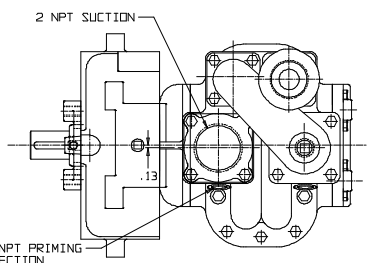
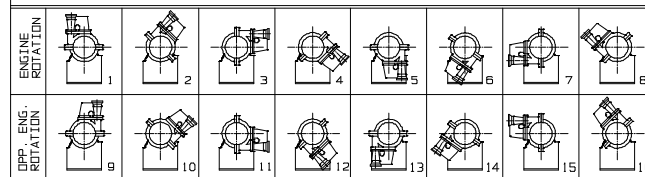
WARNING

EXCEEDING THESE LIMITS OR FAILURE TO FOLLOW THE RECOMMENDATIONS OUTLINED ON THIS DRAWING COULD DAMAGE THE PUMP AND RESULT IN PERSONAL INJURY.

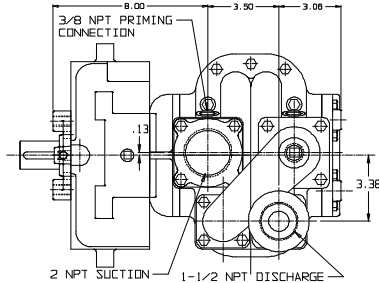
MAX PUMP PRESSURE:
 HYDRODYNAMIC = 1000 PSI
 HYDROSTATIC = 1000 PSI
 MAX POWER INPUT FOR PUMPING = 100HP
 MAX PUMP INPUT RPM =
 PUMP RATIO 2.00 2.83 3.94 4.93
 RPM 4460 3150 2260 1810
 READ LIMIT CHART F-72 AND I-91 FOR ADDITIONAL DATA.

VOLUTE CAN BE MOUNTED IN ANY POSITION SHOWN, POSITION 1 OR 9 SUPPLIED BY HALE.
 PRIMING AND DRAIN TAPS NECESSARY FOR MOUNTINGS IN ANY POSITION ARE STANDARD

POSSIBLE POSITIONS OF PUMP DISCHARGE



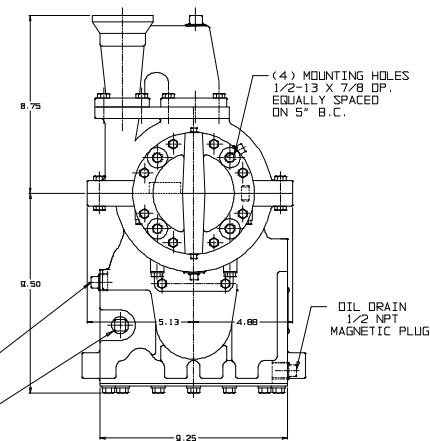
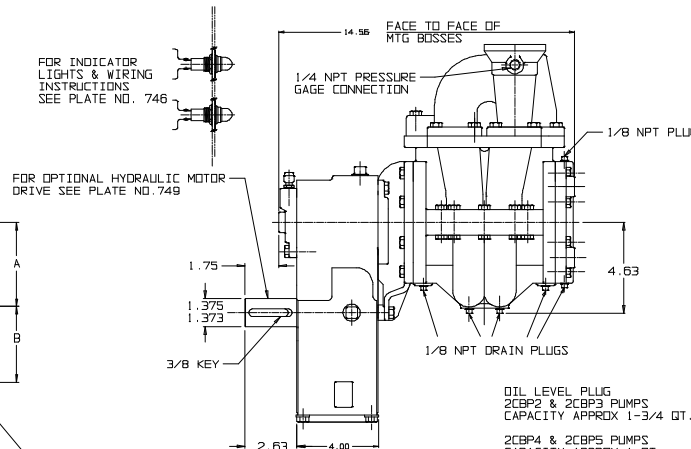
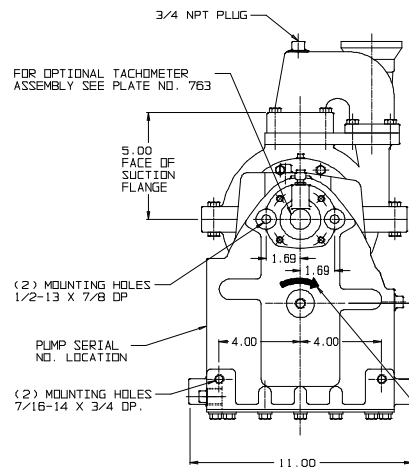
TOP VIEW SHOWING LOCATION OF DISCHARGE OPENING WITH PUMP ASSEMBLED FOR OPPOSITE ENGINE ROTATION POWER TAKE-OFF.



TOP VIEW SHOWING LOCATION OF DISCHARGE OPENING WITH PUMP ASSEMBLED FOR ENGINE ROTATION POWER TAKE-OFF.

PUMP TYPE	RATIO	DIMENSIONS		WT LBS
		A	B	
2CBP2	1:2.00	3.44	4.13	114
2CBP3	1:2.83	3.44	4.13	115
2CBP4	1:3.94	4.44	3.13	118
2CBP5	1:4.93	4.44	3.13	120

TO CONFORM TO NFPA 901, APPARATUS MANUFACTURER MUST FURNISH A VISUAL INDICATOR AT THE DRIVERS POSITION WHEN THE PUMP POWER TAKE-OFF IS ENGAGED FOR PUMP AND ROLL OPERATION.



ARROW SHOWS DIRECTION OF ROTATION FOR "ENGINE ROTATION PTO". ROTATION WILL BE REVERSED FOR "OPPOSITE ENGINE ROTATION PTO".

PLATE NO. 447CA

97-168	A	REDRAWN ON CAD - UPDATED	JH	8-12-97	MD
ECCO NO	REV	CHANGED FROM	BY	DATE	APVD

HALE

HALE PRODUCTS, INC.
 A Unit of IDEX Corporation
 Conshohocken, PA 19428 USA

DATE	1-19-93	SIZE	F	SCALE	HALF
COPYRIGHT ©	DRAWN	WFM	CHECKED	RET	
NOT TO BE REPRODUCED OR USED TO MAKE OTHER DRAWINGS OR MACHINERY.					