

TOTAL PRESSURE



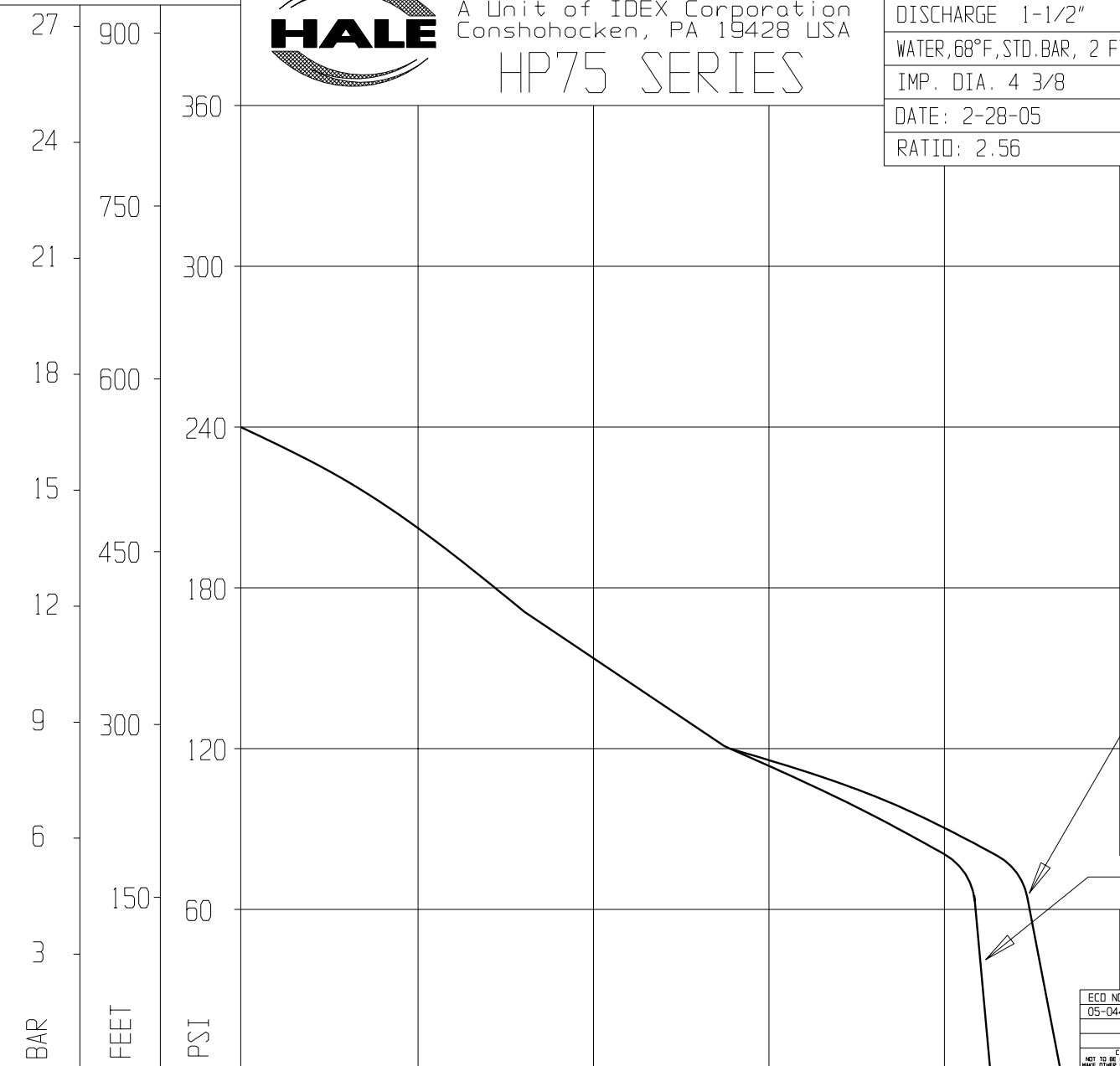
HALE PRODUCTS, INC.
A Unit of IDEX Corporation
Conshohocken, PA 19428 USA

HP75 SERIES

| |
|----------------------------------|
| SUCTION 2" |
| DISCHARGE 1-1/2" |
| WATER, 68°F, STD. BAR, 2 FT LIFT |
| IMP. DIA. 4 3/8 |
| DATE: 2-28-05 |
| RATIO: 2.56 |

| |
|--------------------------------|
| UNIT MODEL |
| HP75-B11 SERIES |
| BRIGGS & STRATTON INTEK 212437 |
| 11 HP @ 4000 RPM |

PERFORMANCE BASED ON A TOP GOVERNED SPEED OF 4000 RPM AND TYPICAL NET HORSEPOWER. PERFORMANCE DOES NOT TAKE INTO ACCOUNT OEM OR CUSTOMER INSTALLED PIPING LOSSES. FOR BEST PERFORMANCE 3" SUCTION HOSE/PIPING RECOMMENDED.



| | | | | | |
|---|-----|-----------------|--|---|-----------------------------|
| ECD NO | REV | CHANGED FROM | BY | DATE | APVD |
| 05-044 | A | INITIAL RELEASE | JBS | 02-28-05 | MAL |
| | | | | | |
| <small>COPYRIGHT © 2005 IDEX CORPORATION. NOT TO BE REPRODUCED OR USED TO MAKE OTHER DRAWINGS OR MACHINERY.</small> | | | <small>DRAWN</small> JBS <small>CHECKED</small> MAL | <small>DATE</small> : 02-28-05 <small>SIZE</small> : A | <small>SCALE</small> : FULL |

CURVE NO.
E1237

| | | | | | | | | | | |
|-------------|---|----|-----|-----|-----|-----|-----|-----|-----|-----|
| U.S. G.P.M. | 0 | 25 | 50 | 75 | 100 | 125 | 150 | 175 | | |
| LITERS/MIN | 0 | 75 | 150 | 225 | 300 | 375 | 450 | 525 | 600 | 675 |